

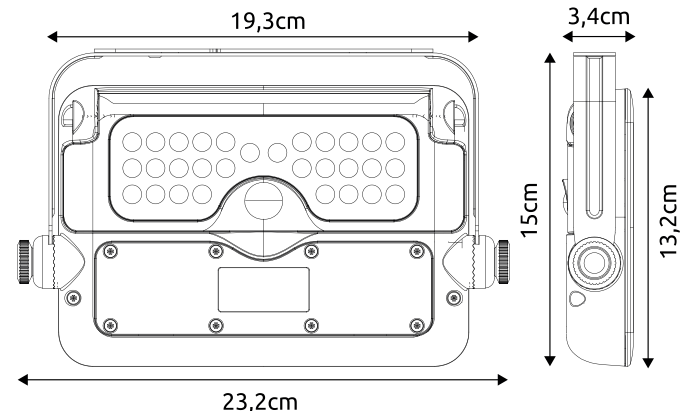
SOLAR



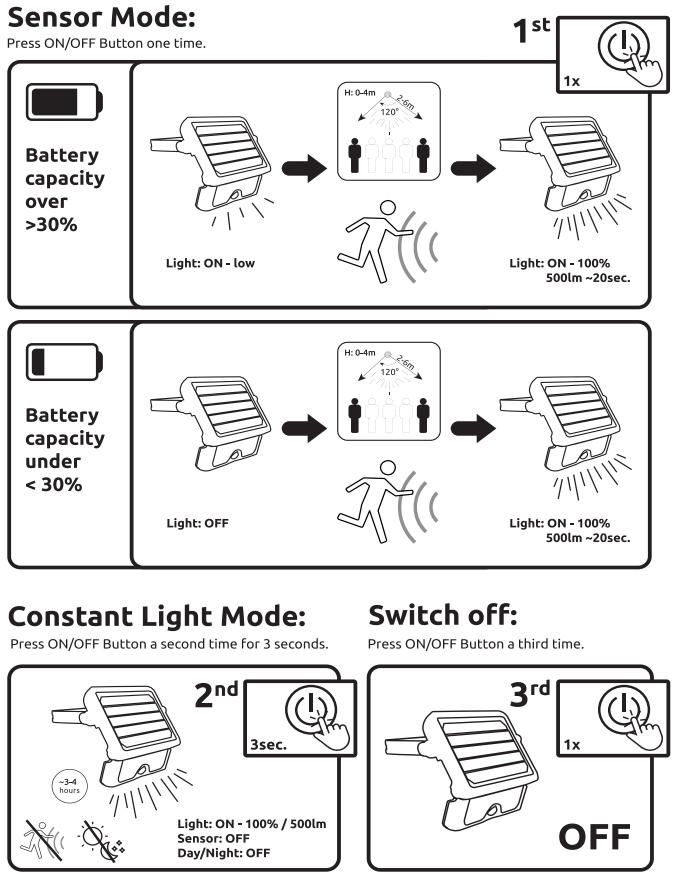
www.globo-lighting.com



- 580 lm source
- 1x 5W LED incl.
- 3000 Kelvin
- 88% Energy
- 5W = 42W
- 35.000h Lifetime
- 35.000h = 35x1.000h
- 20.000x ON/OFF
- Input 3V
- 100% light = 3 sec.
- 15°C - +50°C
- not dimmable
- sensor + no timer compatible
- Hg 0,0001mg
- Beam angle 90°
- CRI≥80
- LED panel not exchangeable

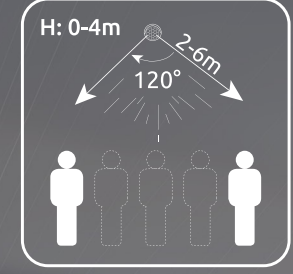
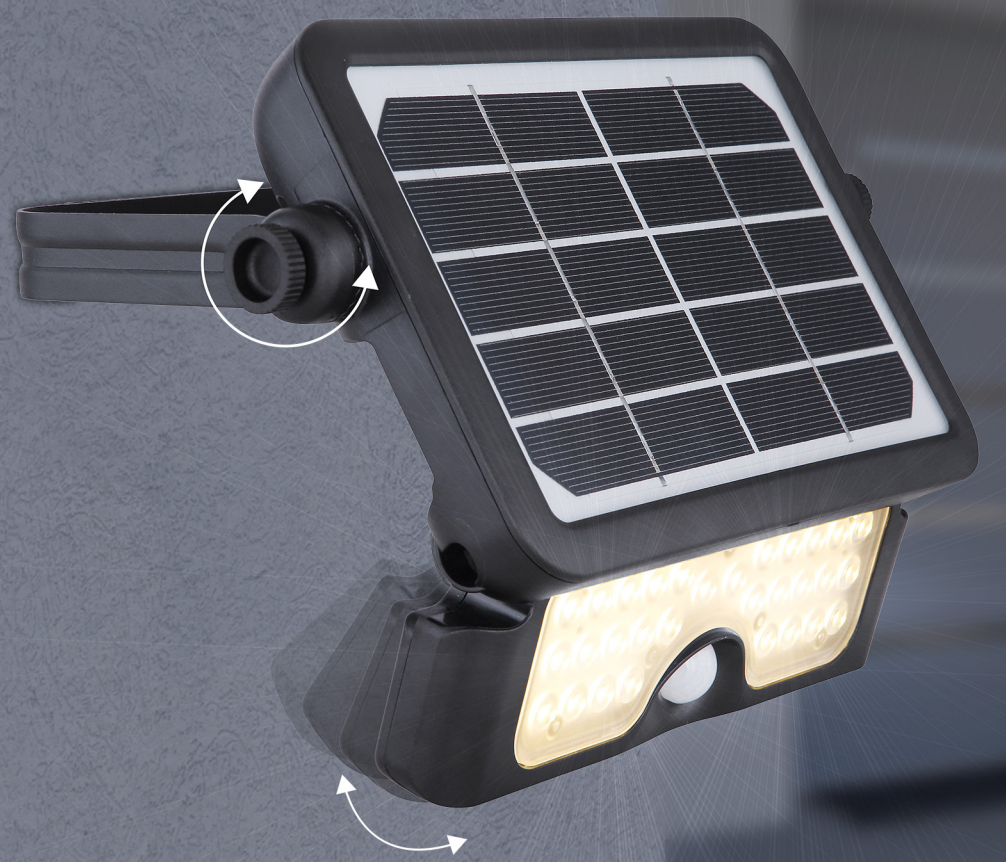


(D) LED Solarleuchte; (GB) LED solar lamp; (F) Lampe solaire à LED; (I) Luce solare a LED; (E) Luz solar LED; (HR) LED solarna svjetiljka; (BIH) LED solarna svjetiljka; (SLO) LED sončna luč; (SRB) LED solarna svjetiljka; (FIN) LED-aurinkovallo; (DK) LED-solcellelampe; (IS) Útisólarlampi með LED; (P) Luz solar LED; (BG) LED слънчева светлина; (N) LED-solcellely; (LV) LED saulės šviesos diodų lemputė; (S) LED-solcellslampa; (CZ) LED solární světlo; (RUS) Светодиодный солнечный светильник; (H) LED napelemes fény; (LT) LED saules gaisma; (SK) LED solárne svetlo; (NL) LED-zonnelicht; (TR) LED güneş ışığı; (BY) Уличный светильник; (EST) LED päikesevalgus; (PL) Światło słoneczne LED; (RO) LED lumina solară; (GR) Ηλιακό φως LED



36483
 Importer: Globo Handels GmbH, Gewerbestraße 3, 9184 St. Peter, AUSTRIA
 office@globo-lighting.com
 www.globo-lighting.com
 Made in P.R.C.

SOLAR



- 500lm output
- IP65
- AKKU incl.
- ~6-8 hours
- sensor incl.

SOLAR

20
20,0

69
20

40

239

40

67

162