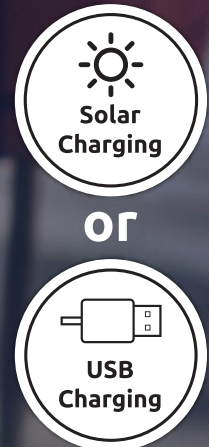


36625G | BxHxT 170 x 240 x 170 mm

SOLAR



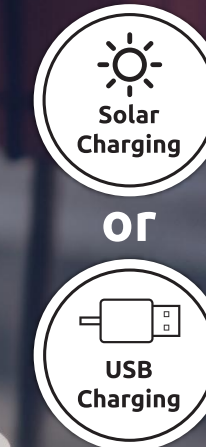
www.globo-lighting.com



- continuous touch dimmer
- dimmable
- touch on/off
- USB charger excl.
- memory function
- ~12 hours
- AKKU incl.
- IP54
- 50-500lm output



SOLAR

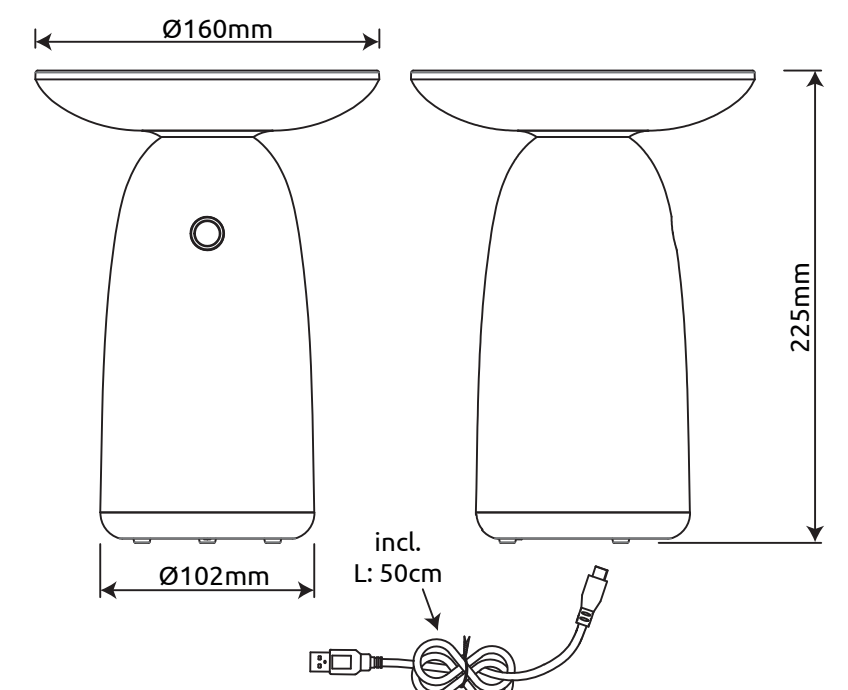


- continuous touch dimmer
- dimmable
- touch on/off
- USB charger excl.
- memory function
- ~12 hours
- AKKU incl.
- IP54
- 50-500lm output



SOLAR

- 100-1000 lm source
- 50-500 lm output
- 10W LED incl.
- 3000 Kelvin
- 25.000h Lifetime
- 12.500x ON/OFF
- Input 220-240V~ 50/60Hz
- Output 3.7V
- 10°C - +40°C
- dimmable
- Hg=0mg
- Beam angle 120°
- CR1±80



incl. 1 x LED 10W 3.7V, ~3000K

- Ø58mm
- adapter excl.
- 5V USB-Charger compatible

- (D) LED Solarleuchte; (GB) LED solar lamp;
- (F) Lampe solaire à LED; (I) Luce solare a LED;
- (E) Luz solar LED; (HR) LED solarna svjetiljka;
- (BIH) LED solarna svjetiljka; (SLO) LED sončna luč;
- (SRB) LED solarna svjetiljka; (FIN) LED aurinkovalu;
- (DK) LED-solcellelampe; (IS) Útisólarlampi með LED;
- (P) Luz solar LED; (BG) LED слънчева светлина;
- (N) LED-solcellely; (LV) LED saulės šviesos diodų lemputė;
- (S) LED-solcellsampa; (CZ) LED solární světlo;
- (RUS) Светодиодный солнечный светильник;
- (H) LED napelemes fény; (LT) LED saules gaisma;
- (SK) LED solárne svetlo; (NL) LED-zonnelicht;
- (TR) LED güneş ışığı; (BY) Уличный светильник;
- (EST) LED päikesevalgus; (PL) Światło słoneczne LED;
- (RO) LED lumina solară; (GR) Ηλιακό φως LED



36625G

Importer: Globo Handels GmbH, Gewerbestraße 3, 9184 St. Peter, AUSTRIA

office@globo-lighting.com
www.globo-lighting.com

Made in P.R.C.

