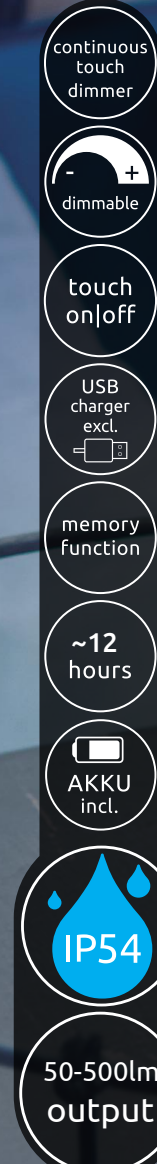
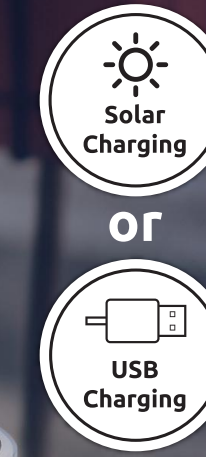
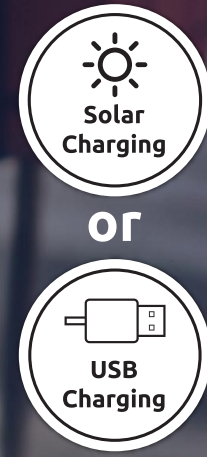


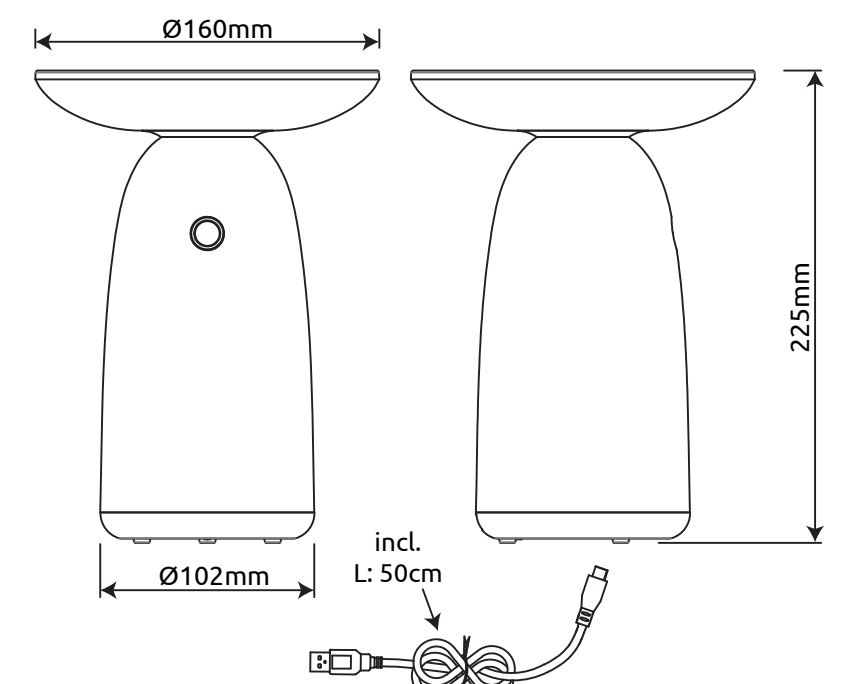
36625S | BxHxT 170 x 240 x 170 mm

www.globo-lighting.com

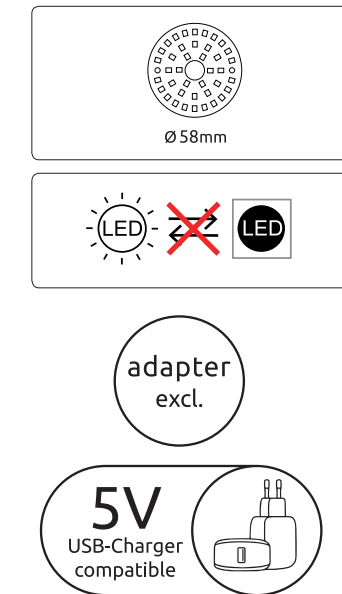
SOLAR



- 100-1000 lm source
- 50-500 lm output
- 10W LED incl.
- 3000 Kelvin
- 25.000h Lifetime
- 12.500x ON/OFF
- Input 220-240V~ 50/60Hz
- Output 3.7V
- 10°C - +40°C
- dimmable
- Hg=0mg
- Beam angle 120°
- CRi>80



- incl. 1 x LED 10W 3.7V, ~3000K
- (D) LED Solarleuchte; (GB) LED solar lamp;
 - (F) Lampe solaire à LED; (I) Luce solare a LED;
 - (E) Luz solar LED; (HR) LED solarna svjetiljka;
 - (BIH) LED solarna svjetiljka; (SLO) LED sončna luč;
 - (SRB) LED solarna svjetiljka; (FIN) LED aurinkovalvo;
 - (DK) LED-solcellelampe; (IS) Útisólárlampi með LED;
 - (P) Luz solar LED; (BG) LED слънчева светлина;
 - (N) LED-solcellely; (LV) LED saulės šviesos diodų lemputė;
 - (S) LED-solcellsampa; (CZ) LED solární světlo;
 - (RUS) Светодиодный солнечный светильник;
 - (H) LED napelemes fény; (LT) LED saules gaisma;
 - (SK) LED solárne svetlo; (NL) LED-zonnelicht;
 - (TR) LED güneş ışığı; (BY) Уличный светильник;
 - (EST) LED päikesevalgus; (PL) Światło słoneczne LED;
 - (RO) LED lumina solară; (GR) Ηλιακό φως LED



36625S
 Importer: Globo Handels GmbH, Gewerbestraße 3,
 9184 St. Peter, AUSTRIA
 office@globo-lighting.com
 www.globo-lighting.com
 Made in P.R.C.

