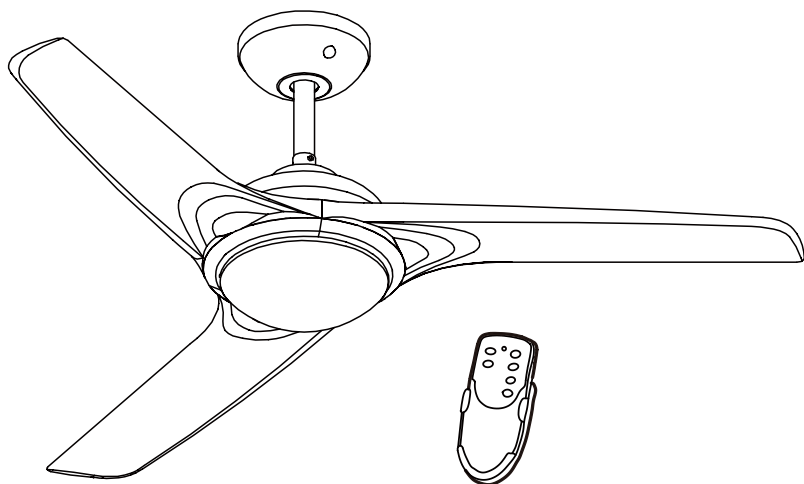


# GLOBO

FAN

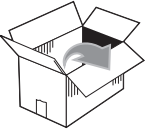
# 0305

[www.globo-lighting.com](http://www.globo-lighting.com)

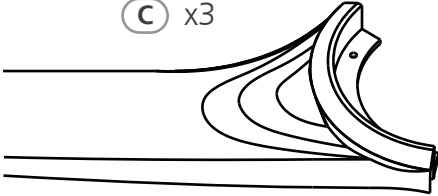


**GLOBO Handels GmbH**  
St. Peter 38  
A-9184 St.Jakob/Rosental

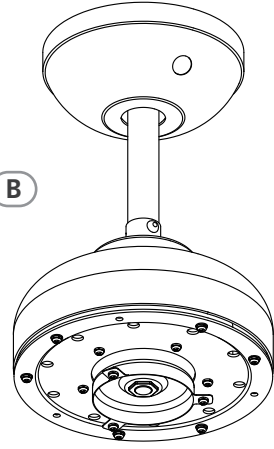




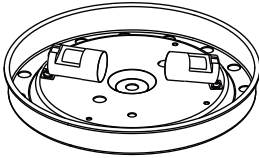
C x3



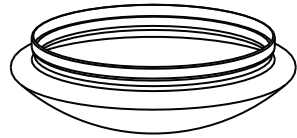
B



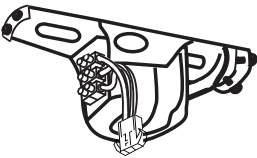
D



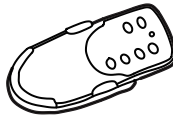
E x1



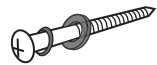
A



G

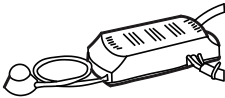


H



x2

F



O

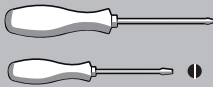
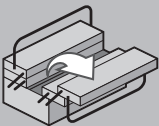


x2

P



x2



+



AA  
x2  
1.5V

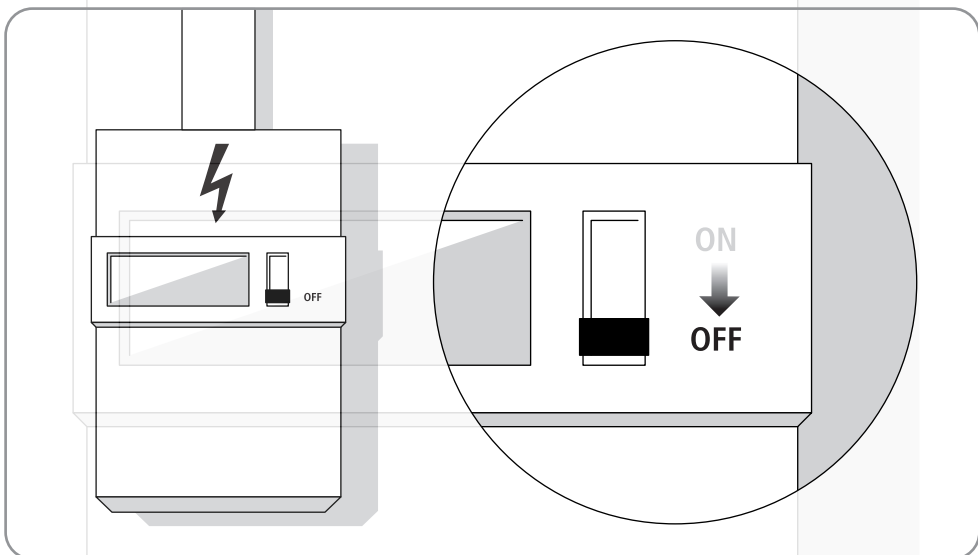
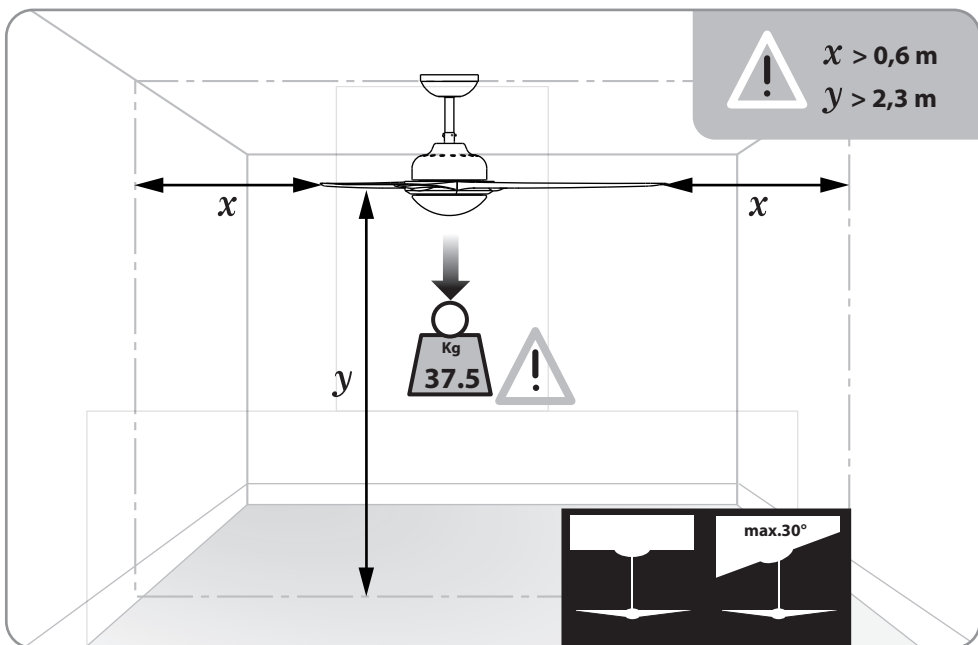


E14 X 2

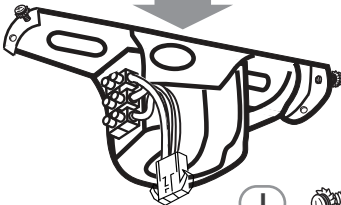
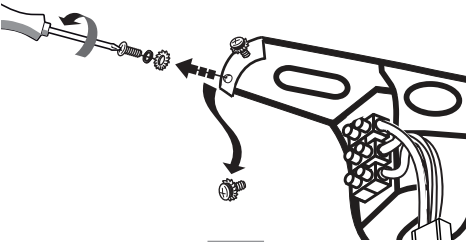
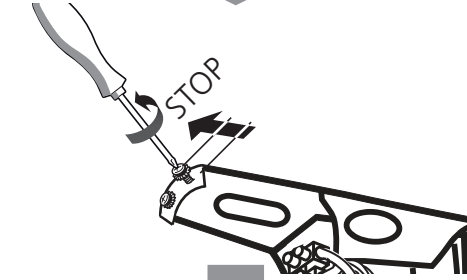
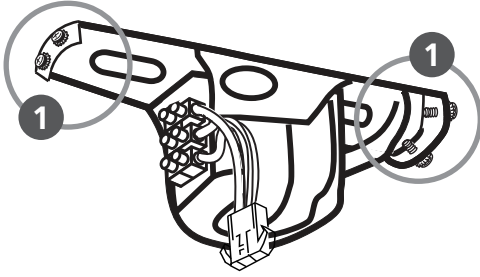


2h



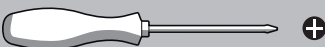


1

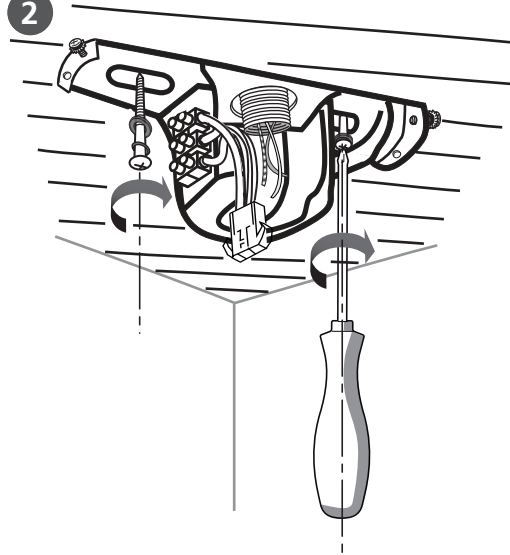


1 x2

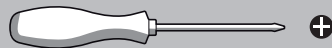
A



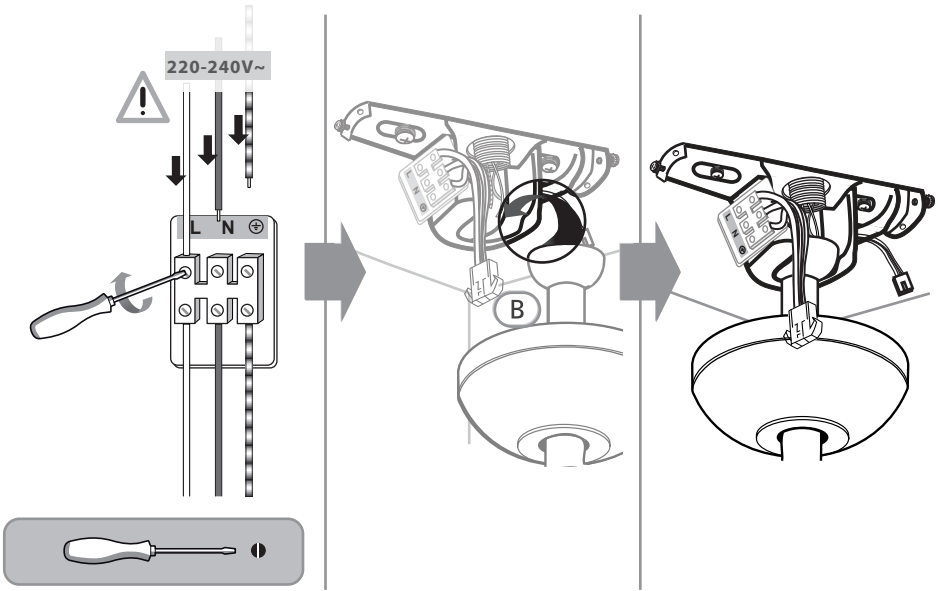
2



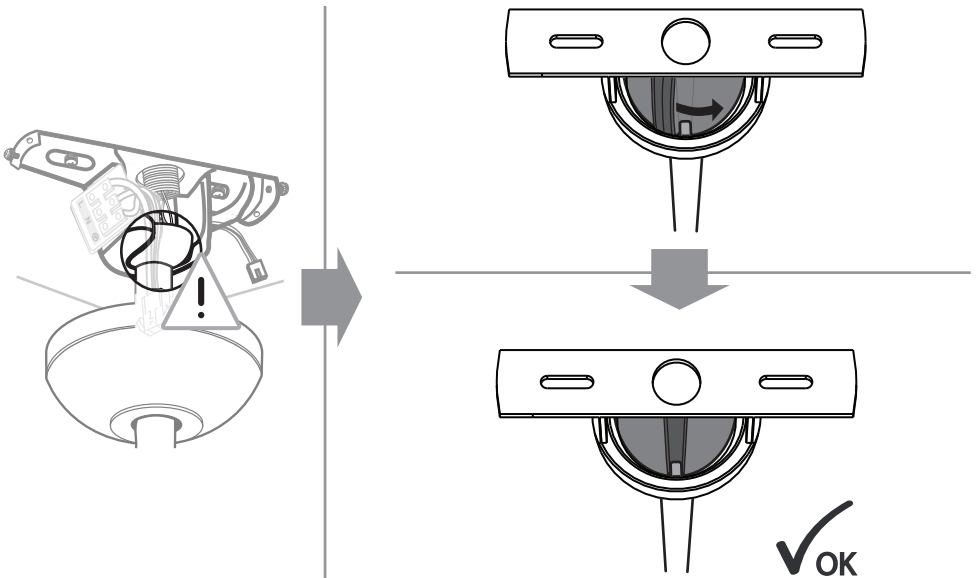
H x2



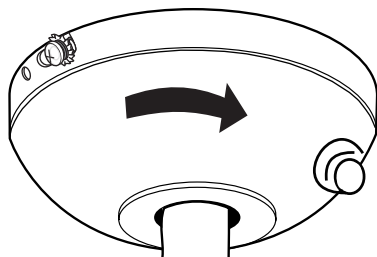
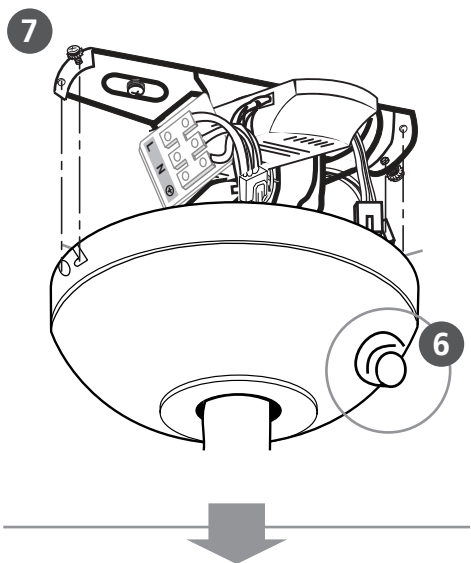
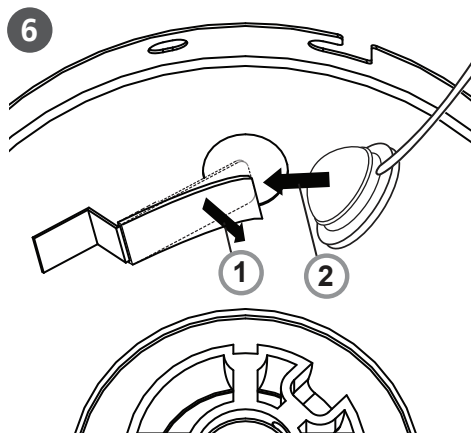
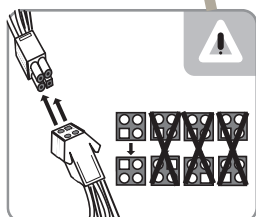
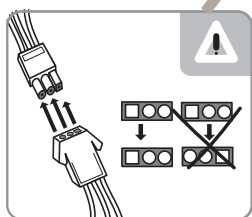
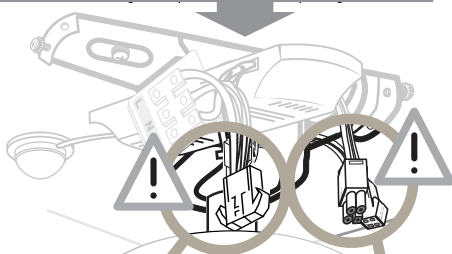
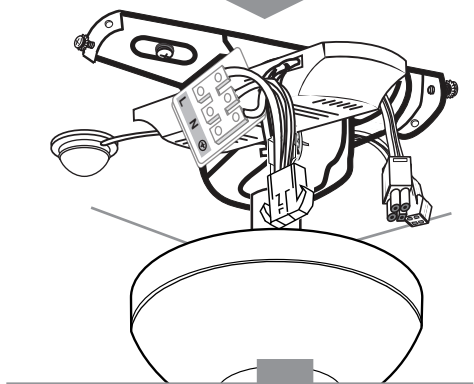
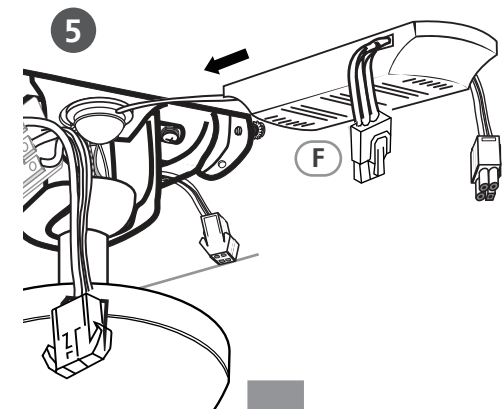
3

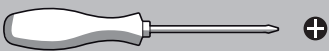
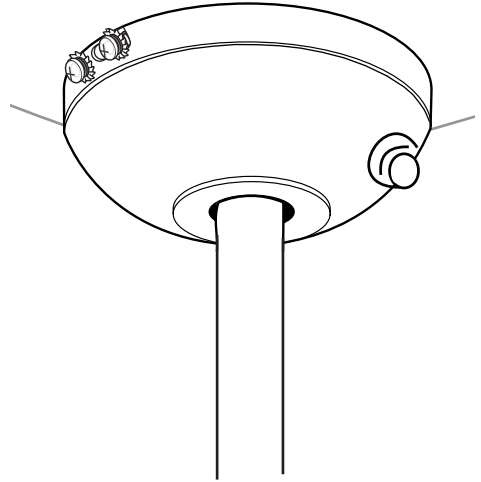
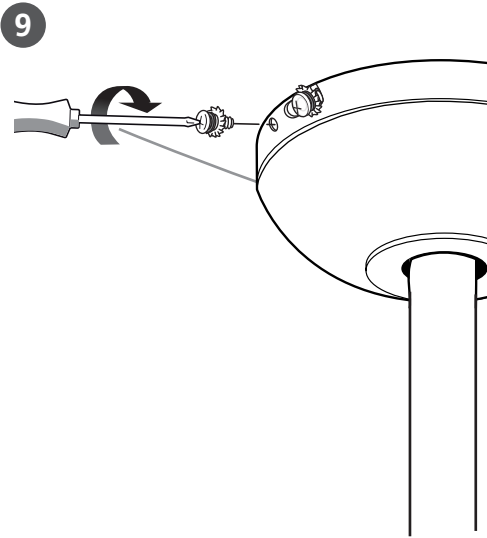
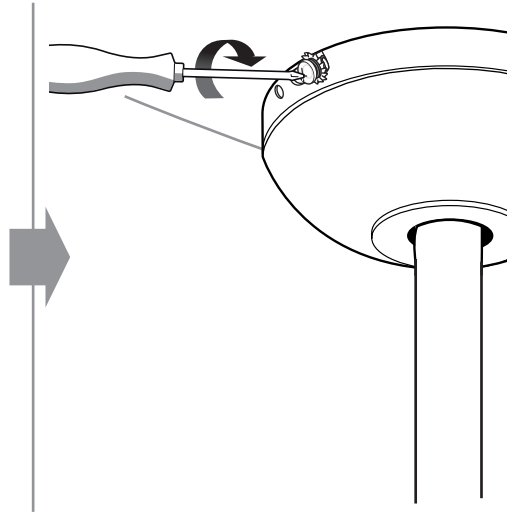
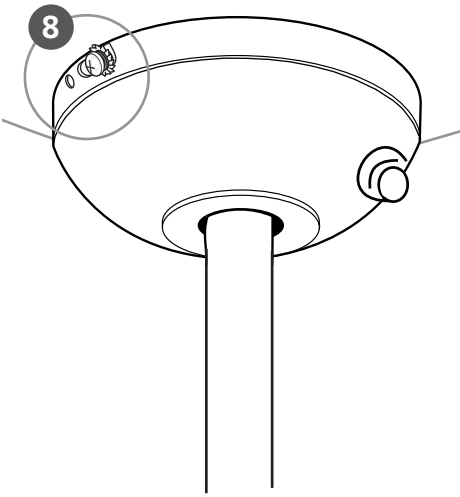


4



3





10

11

