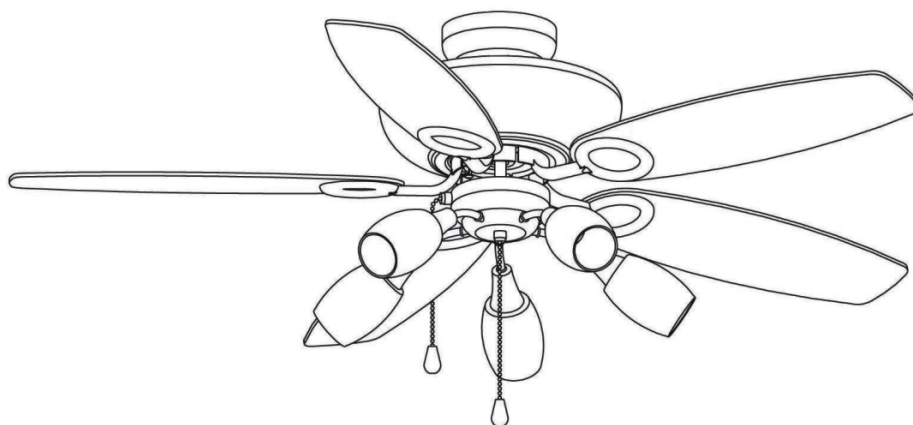
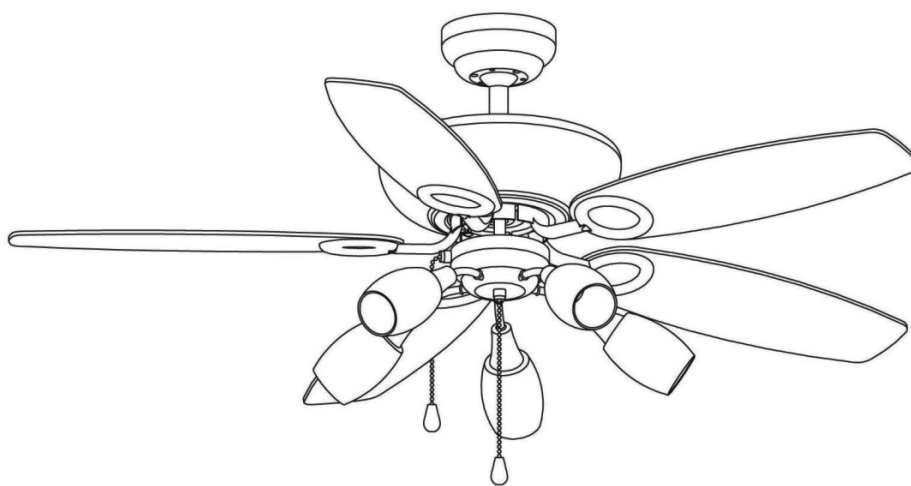


GLOBO

FAN

0337

www.globo-lighting.com



GLOBO Handels GmbH

St.Peter 38

A-9184 St.Jakob/Rosental

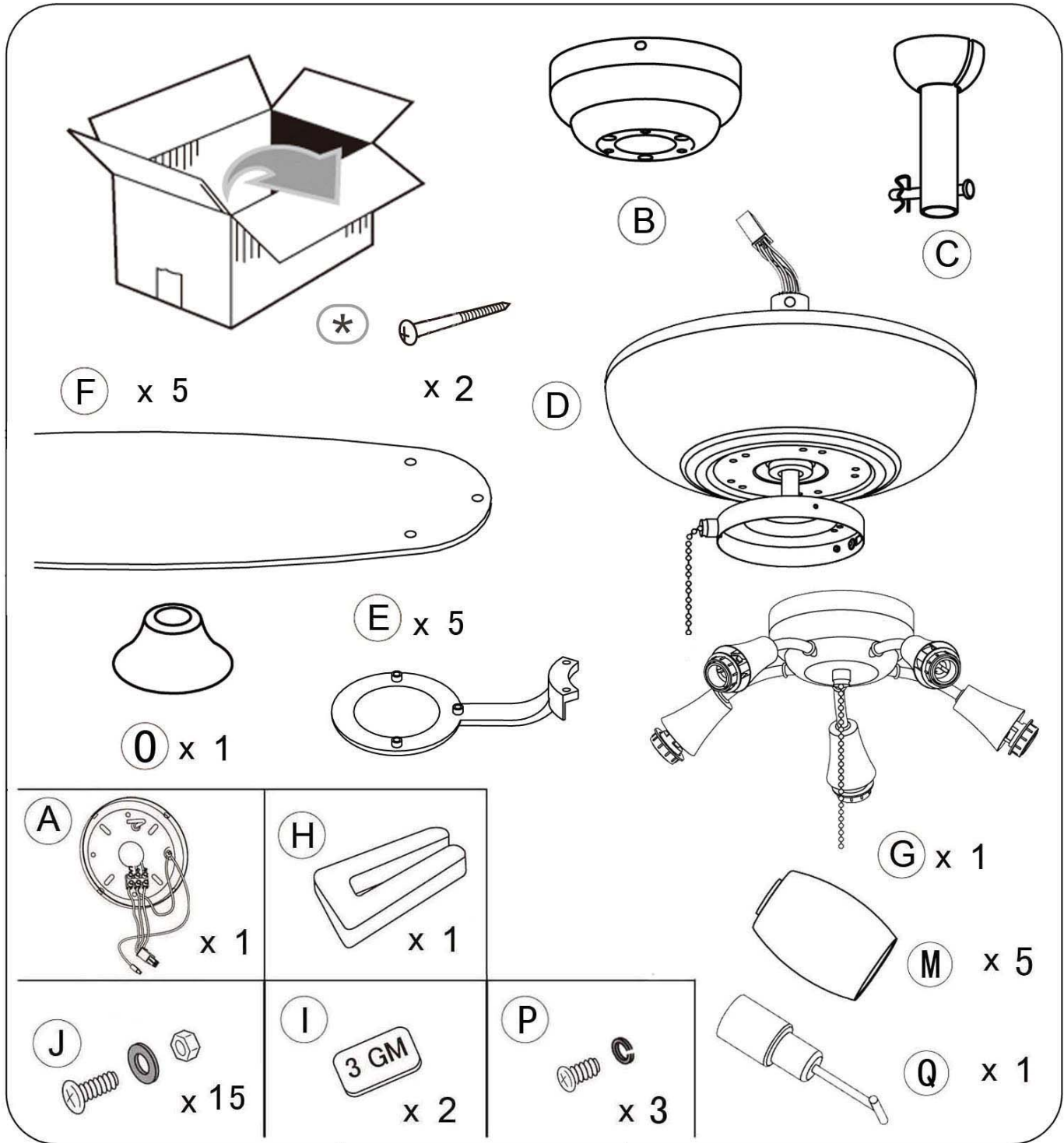
VL52+5P

INPUT: 230V~50Hz

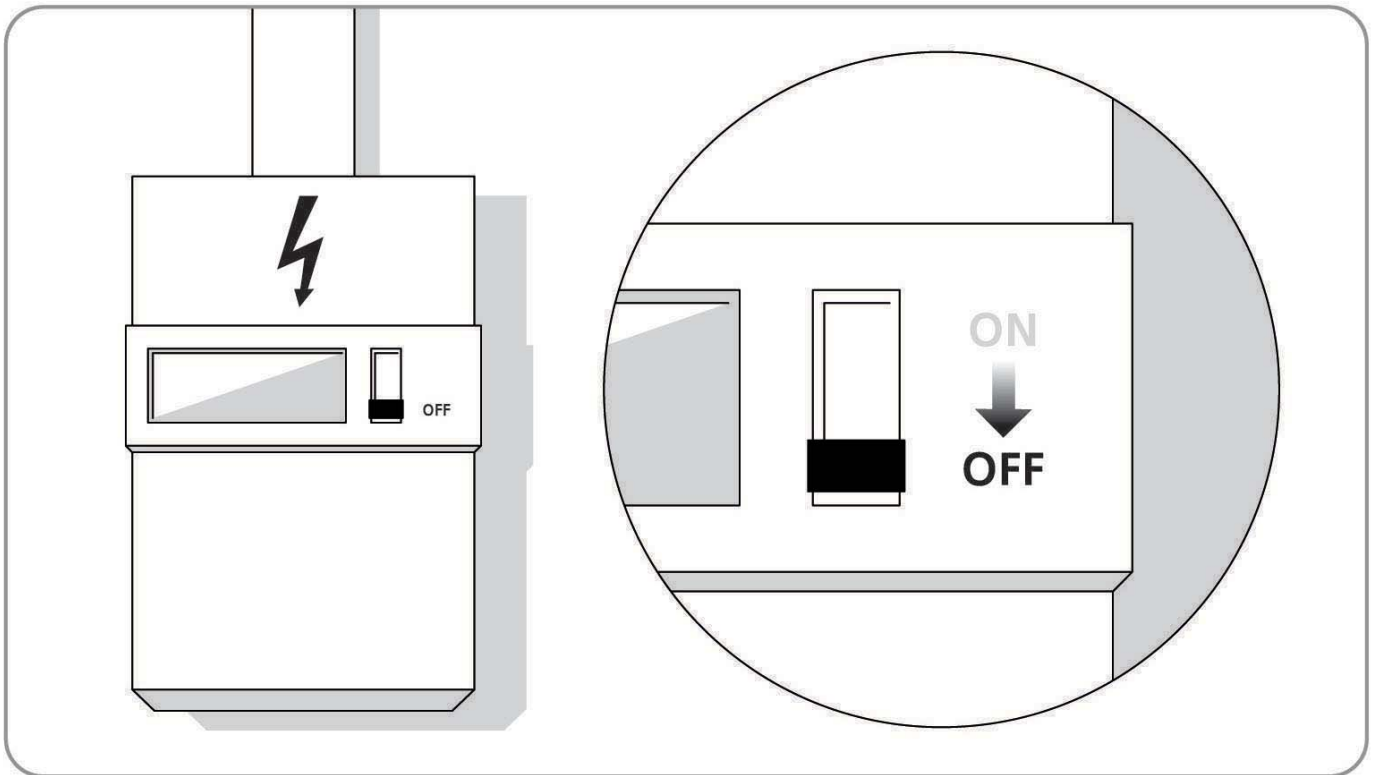
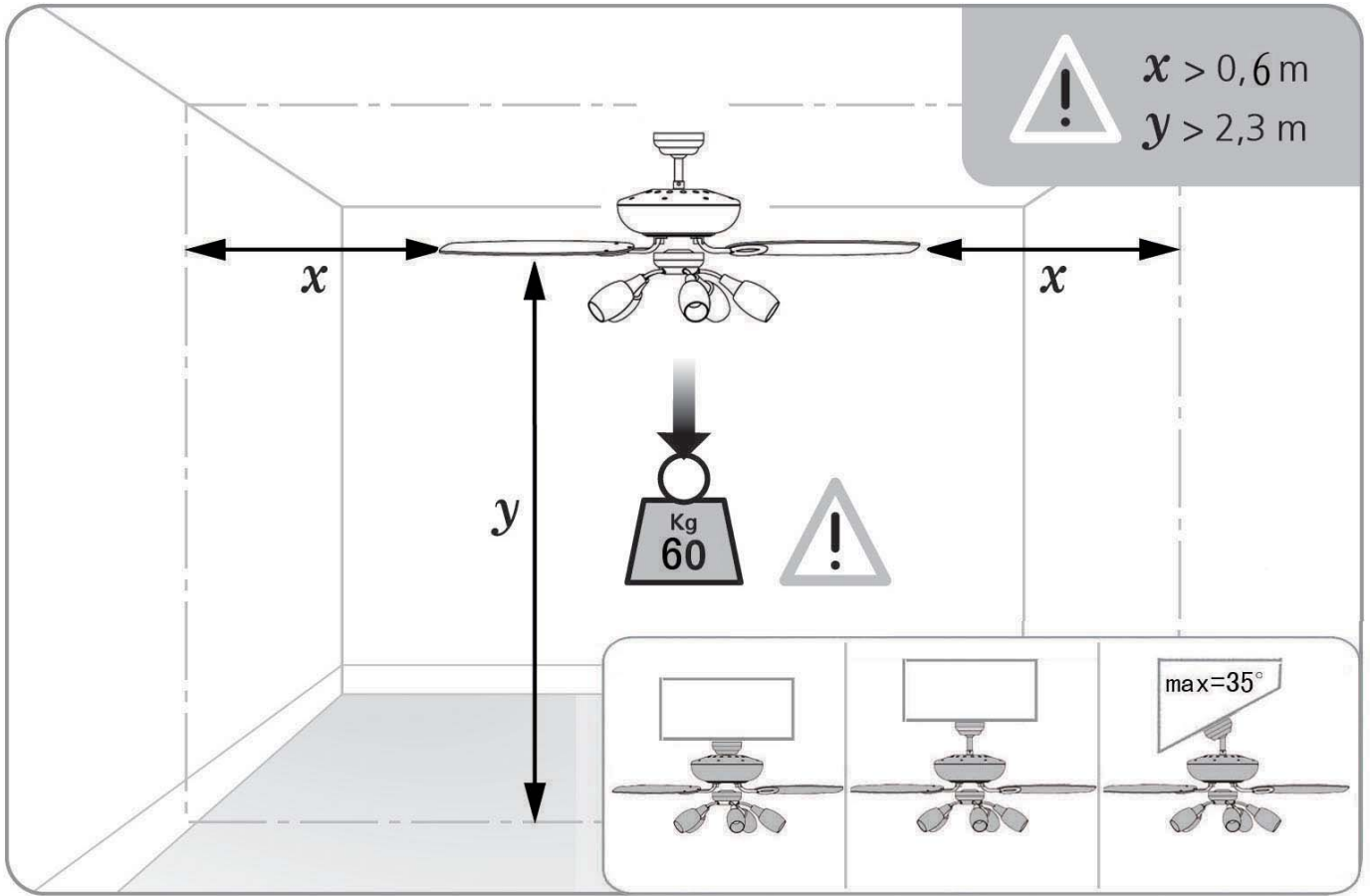
MOTOR: 60W

BULB: 5 x max 40W E14 excl.

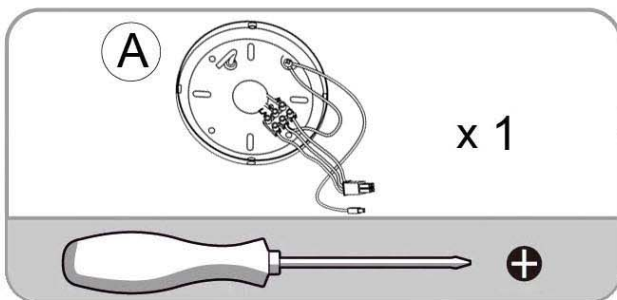
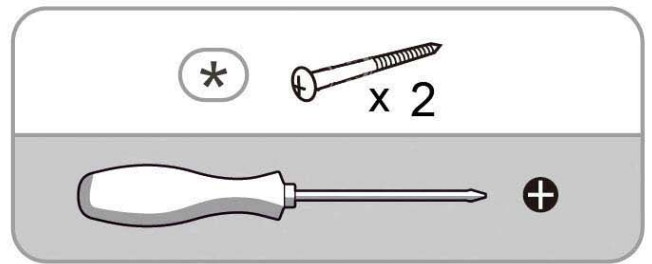
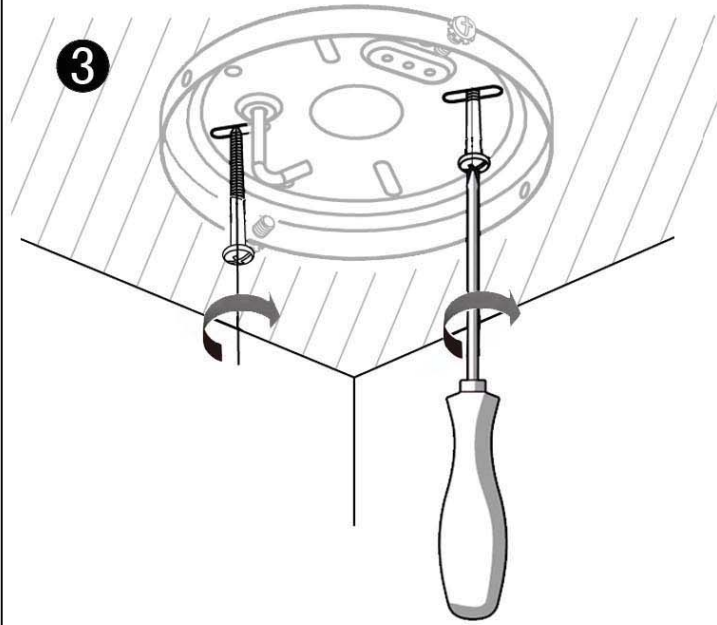
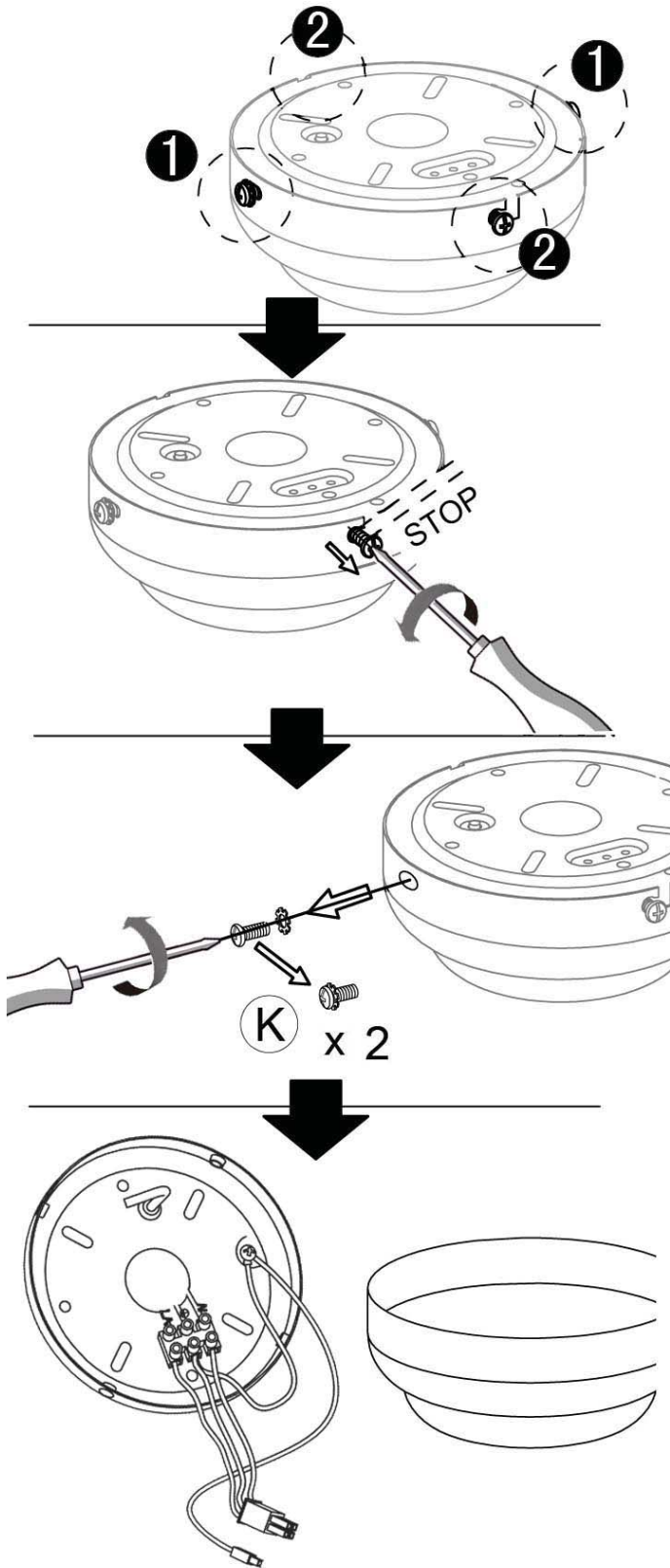




#8
 MAX= 10 cm
 E 14
 2h

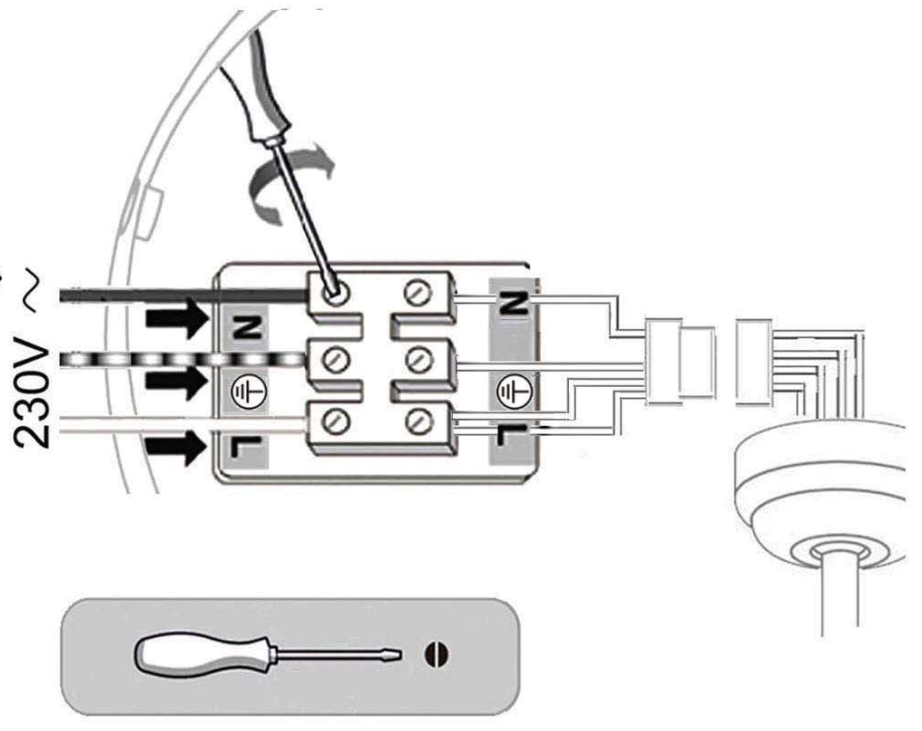
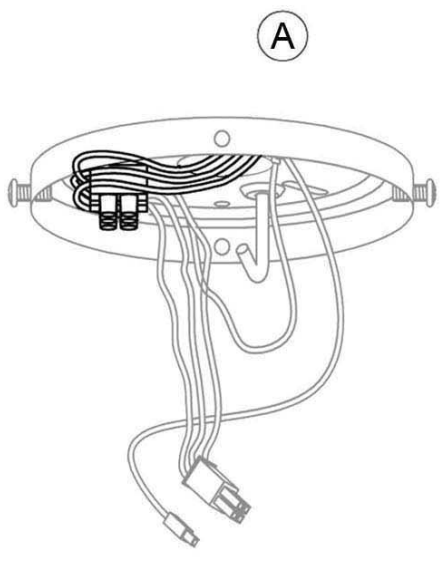


1

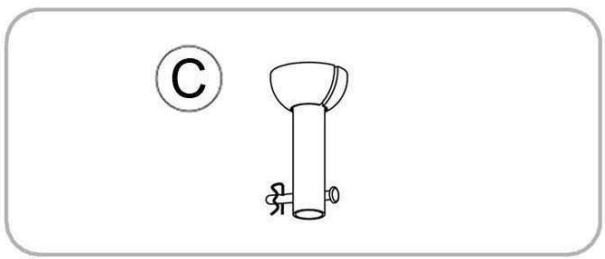
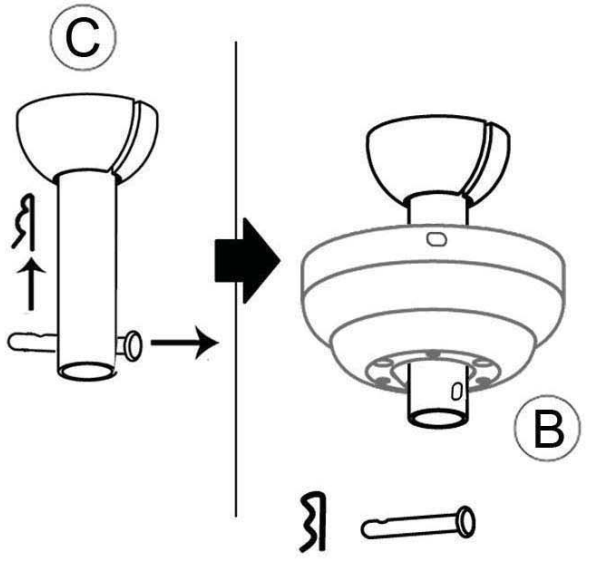




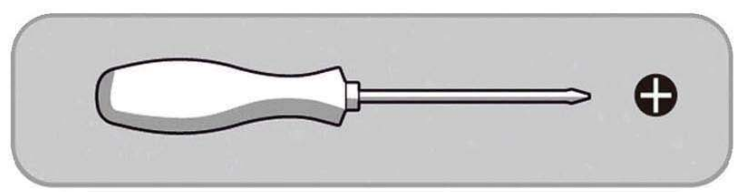
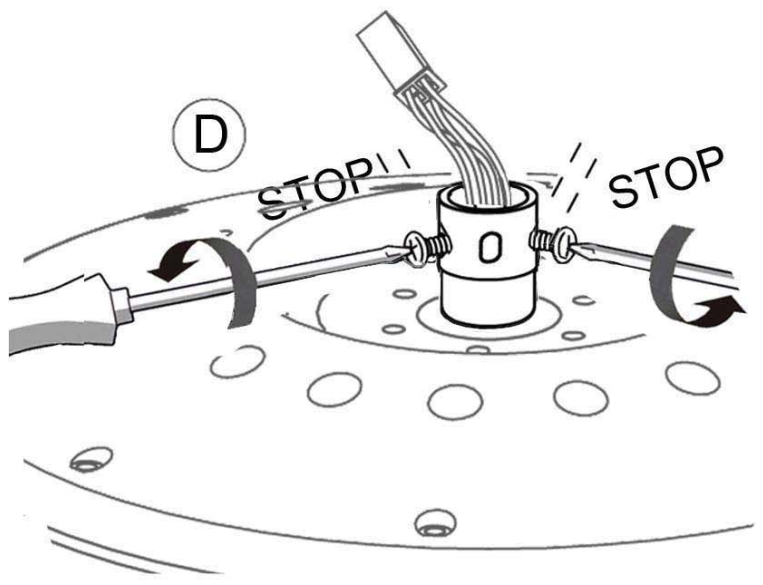
4 -1



5 -1

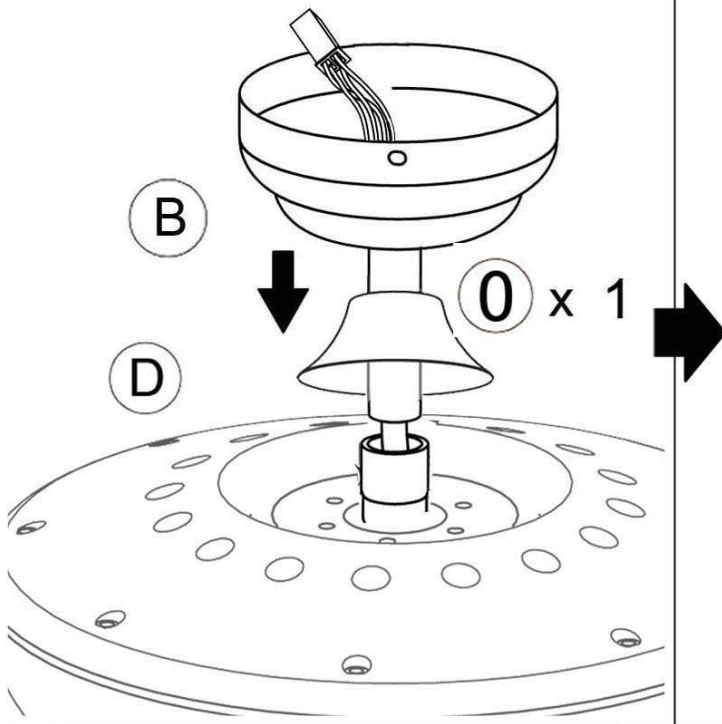


6 -1

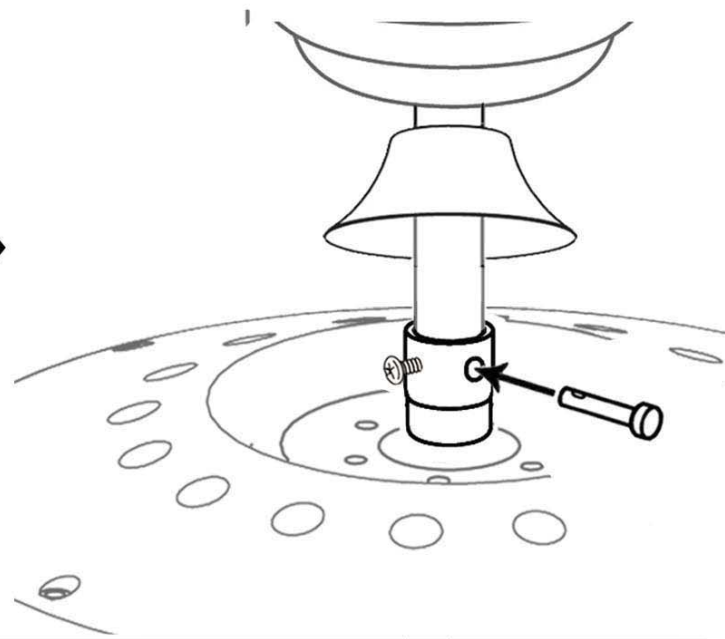




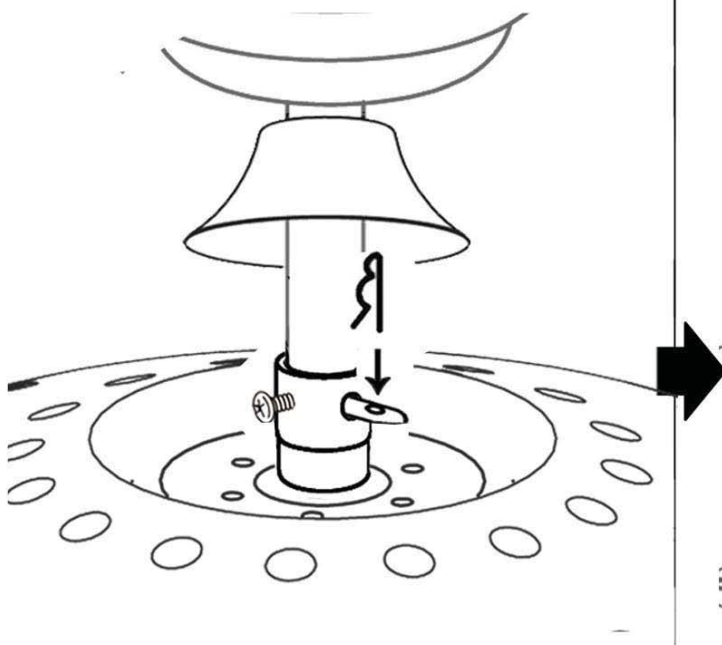
7-1



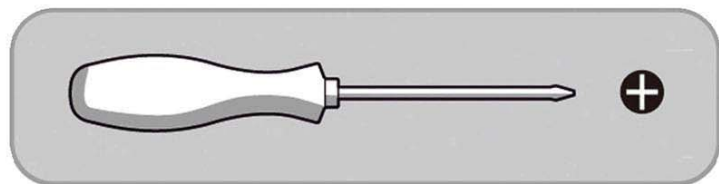
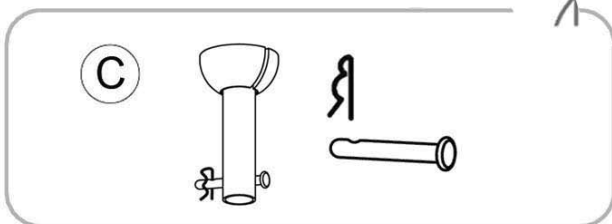
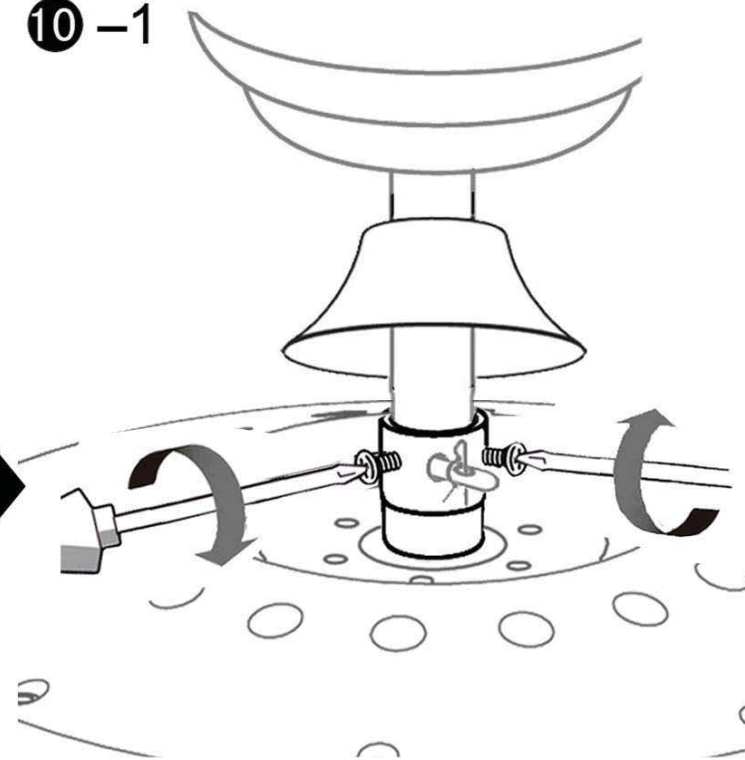
8-1



9-1



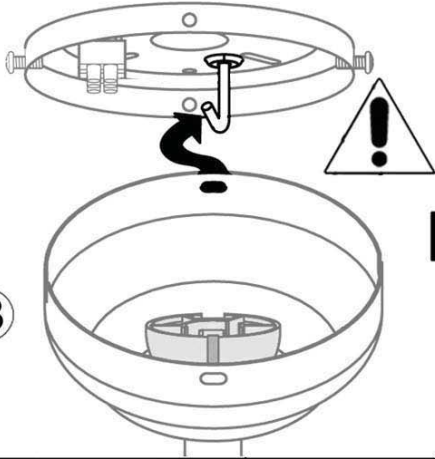
10-1



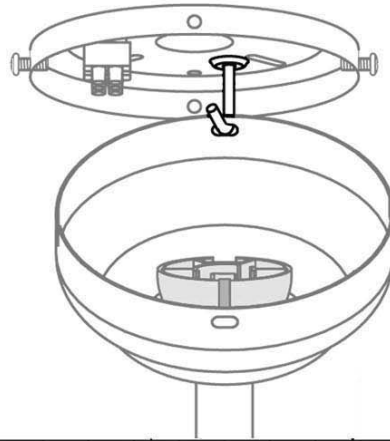
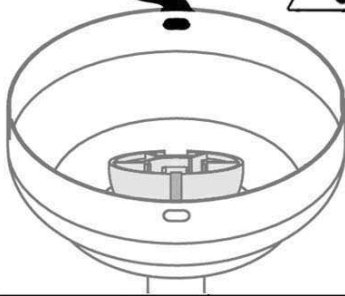


11-1

A

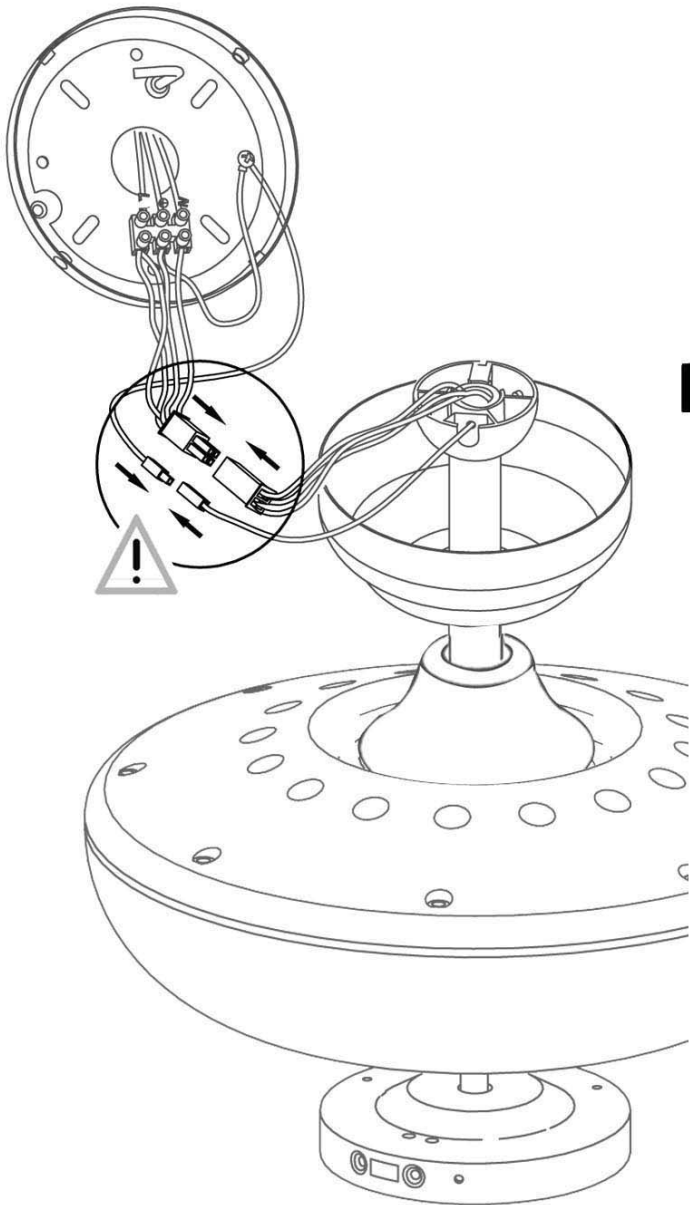


B

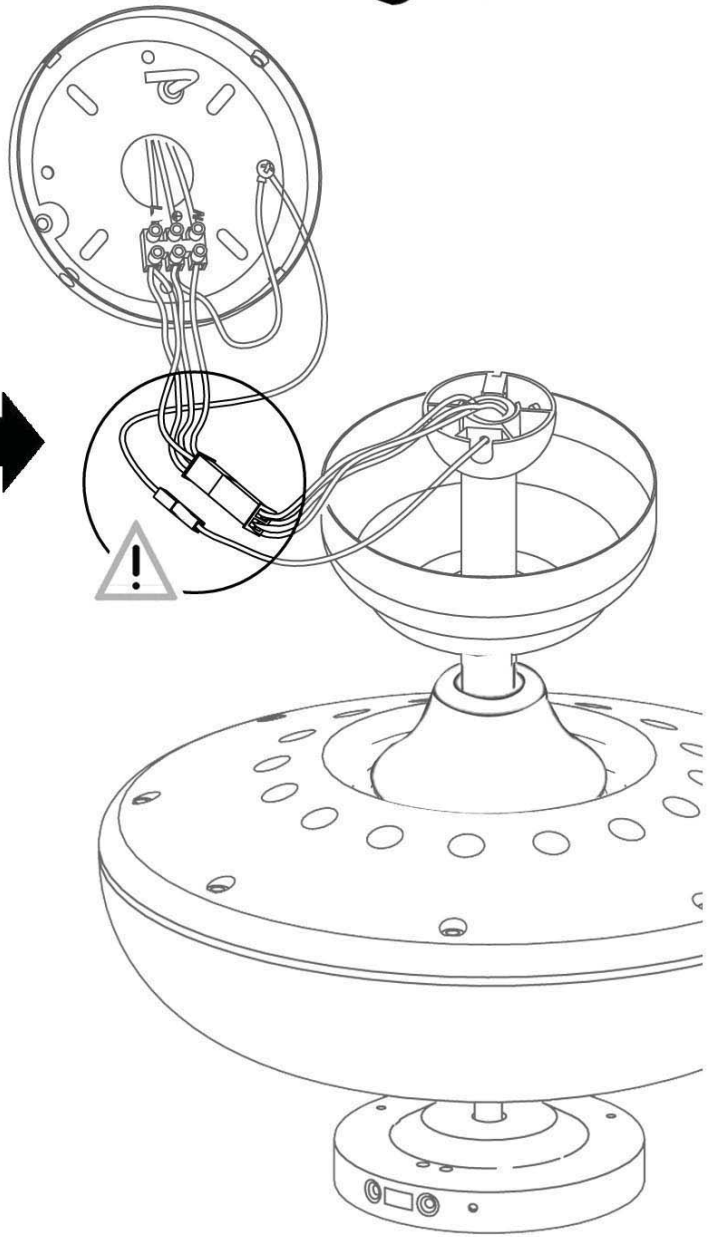


12-1

A

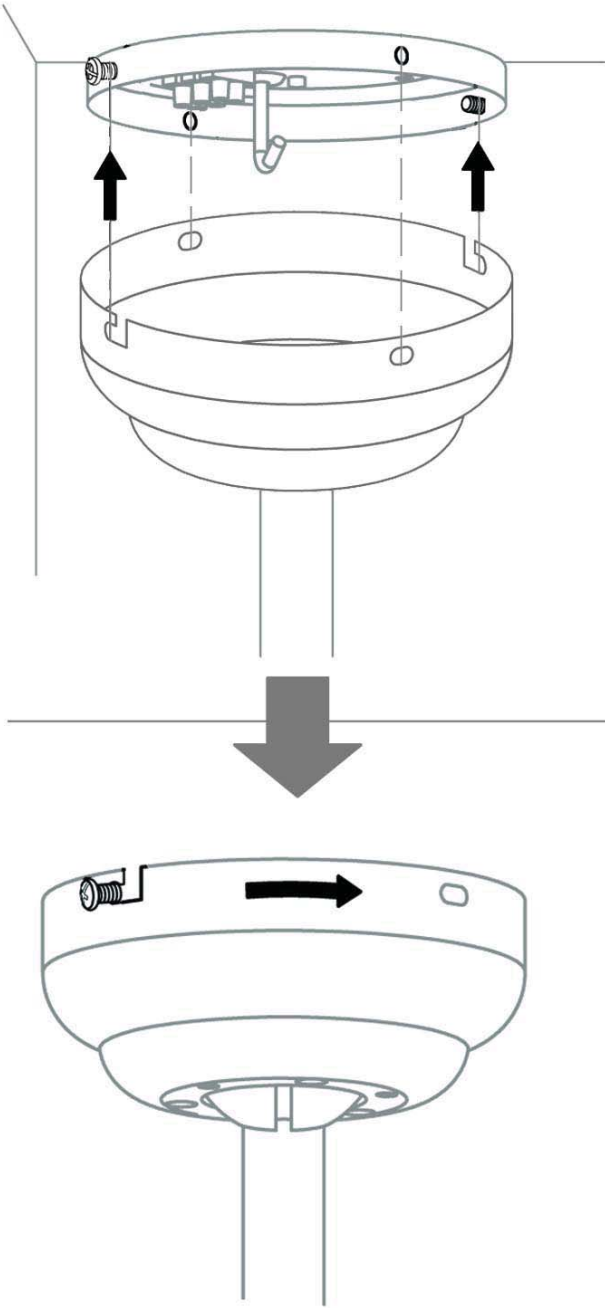


13-1

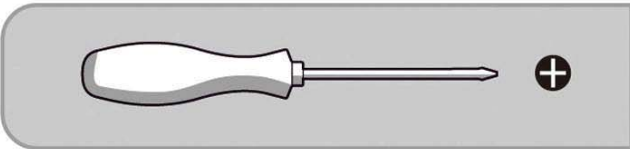
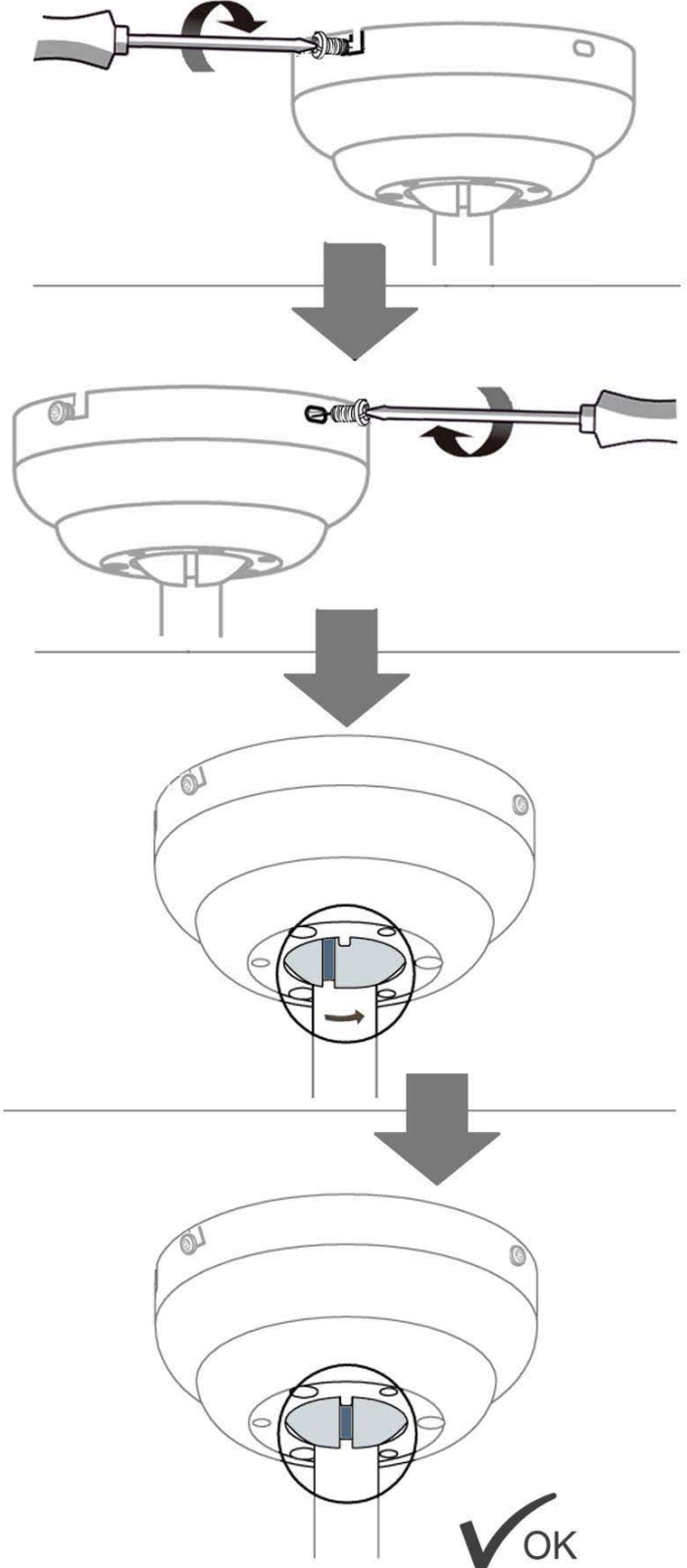




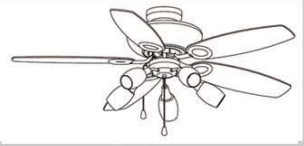
14-1



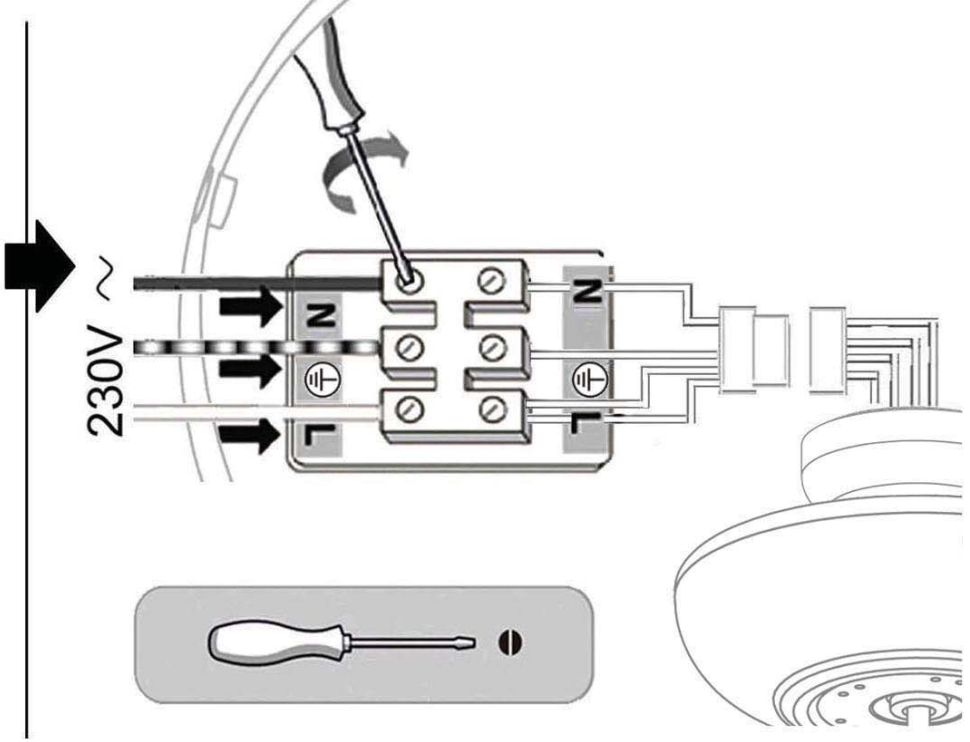
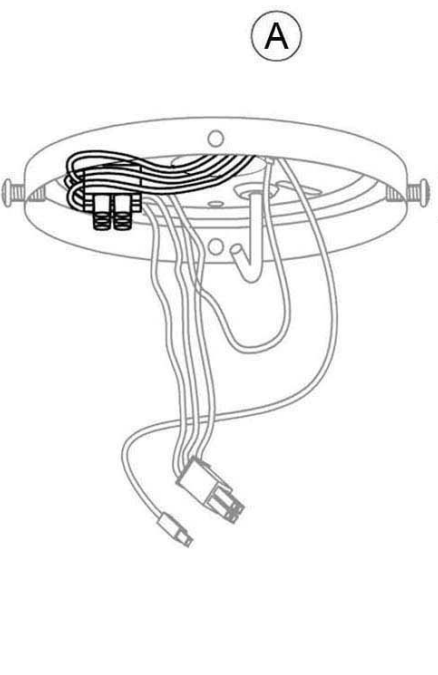
15-1



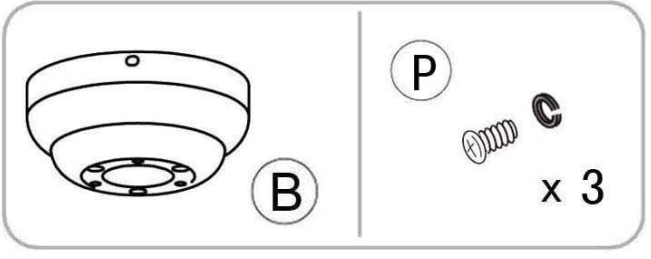
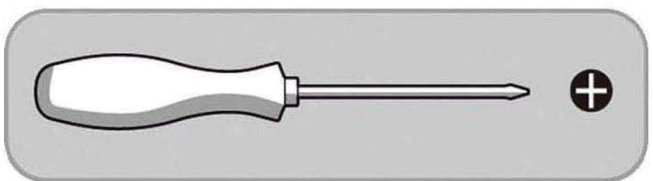
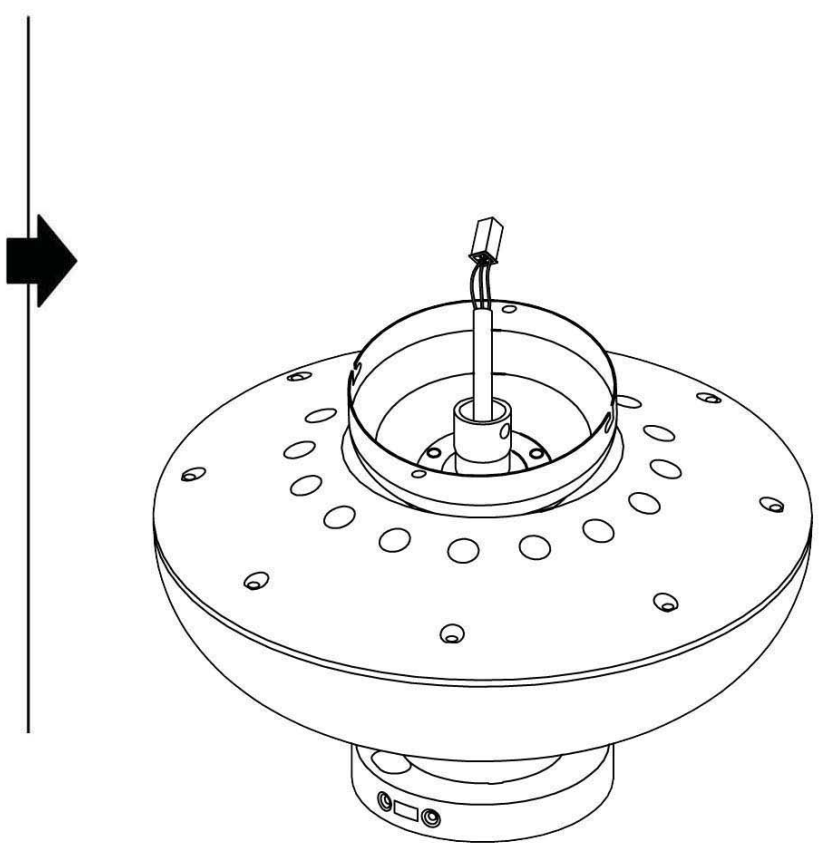
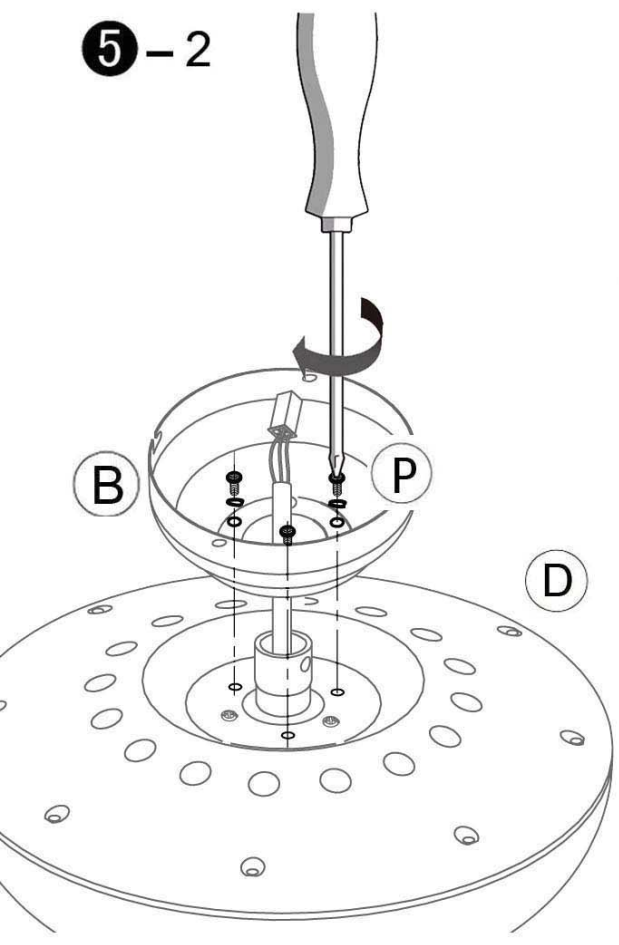
(K)  x2

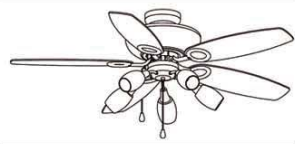


4-2

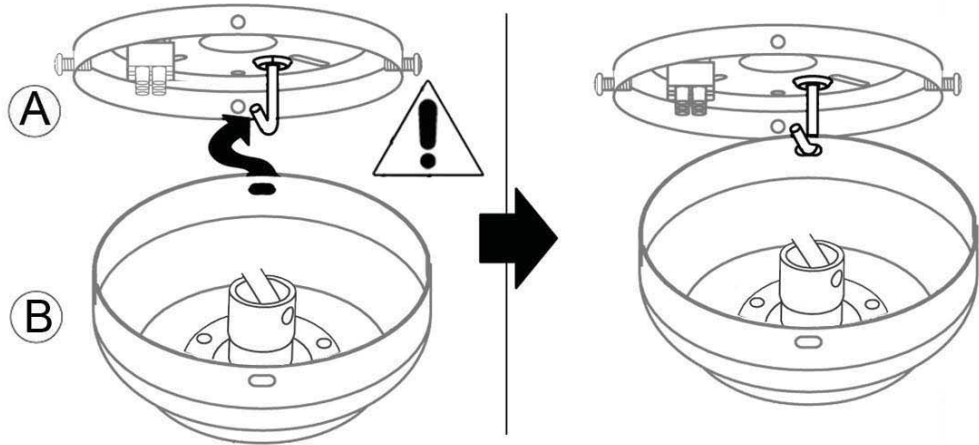


5-2

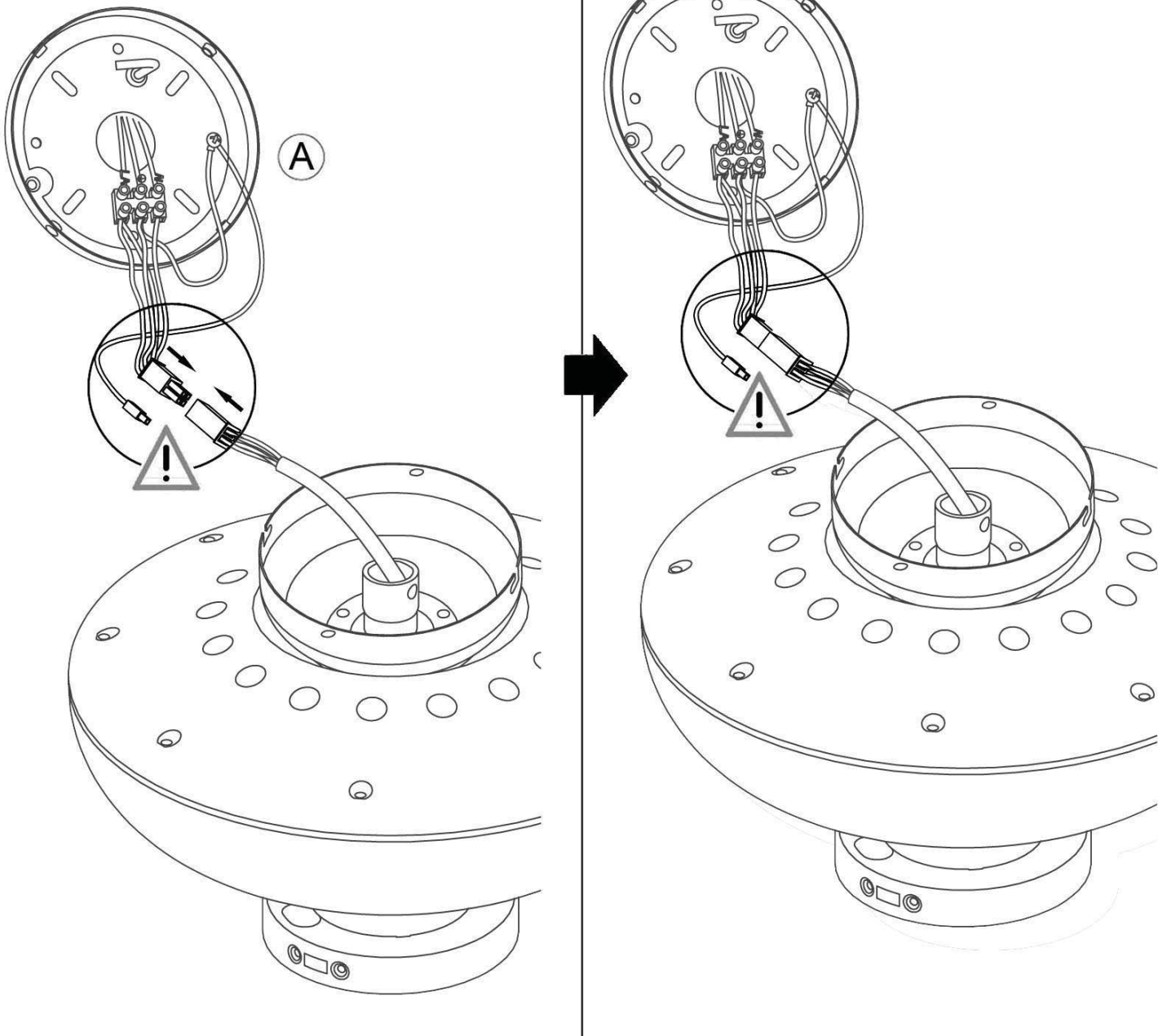


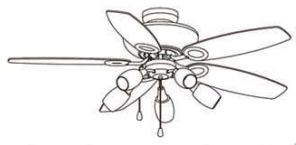


6-2

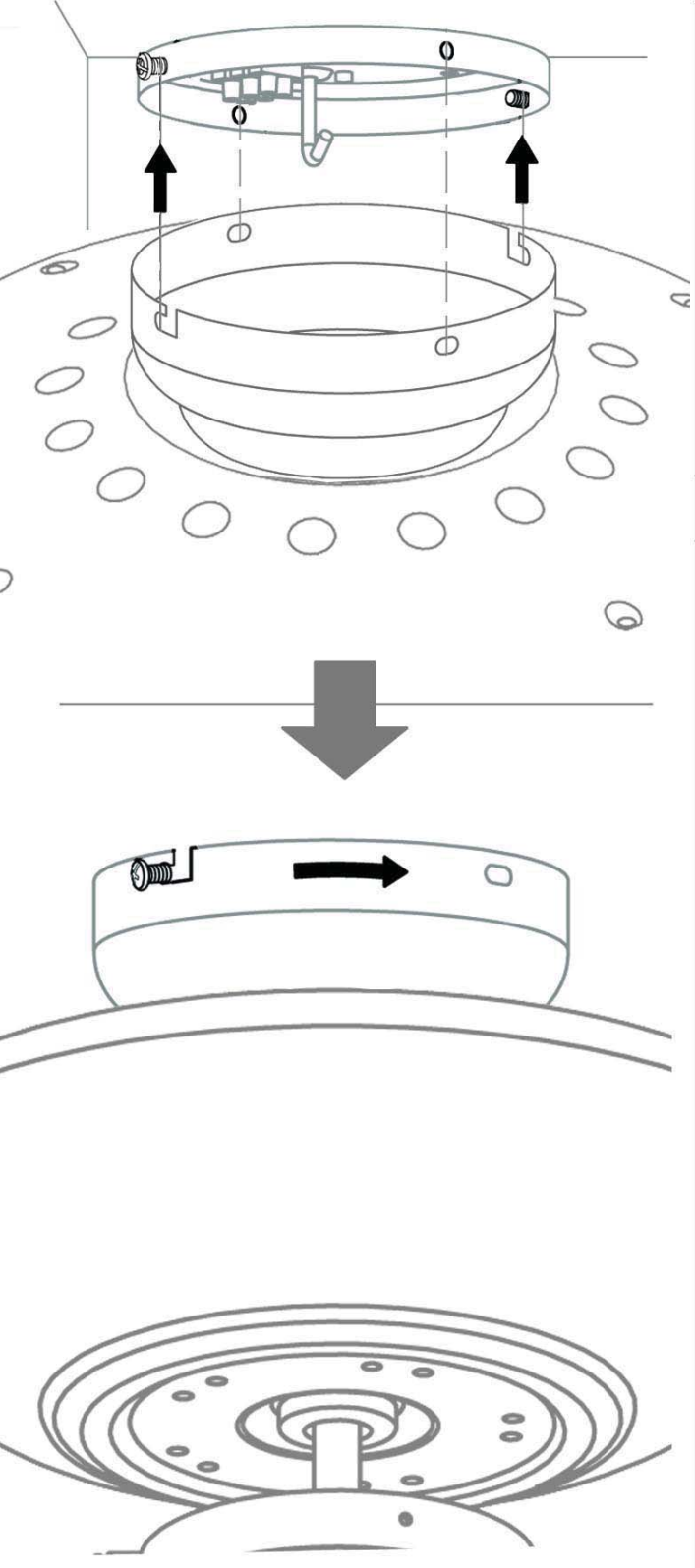


7-2

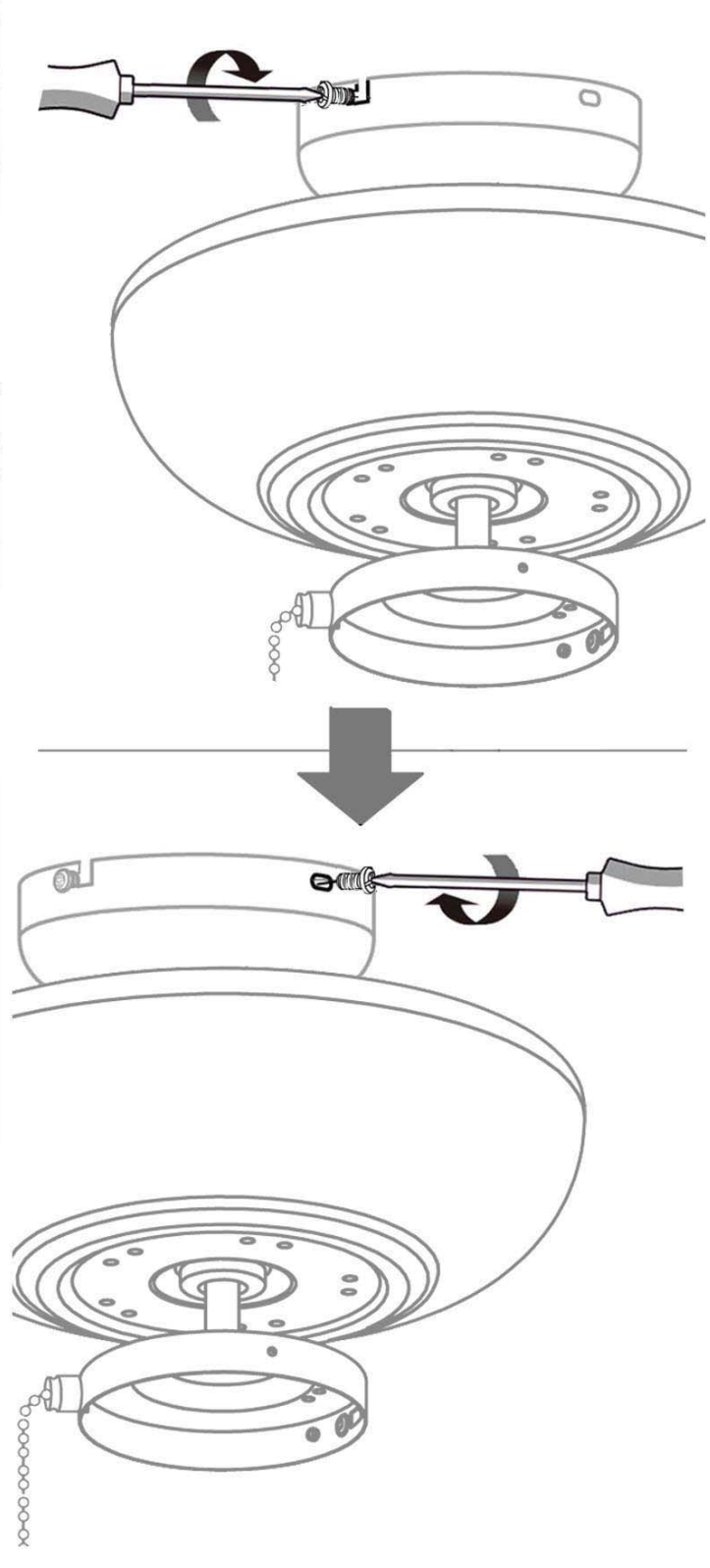






8-2

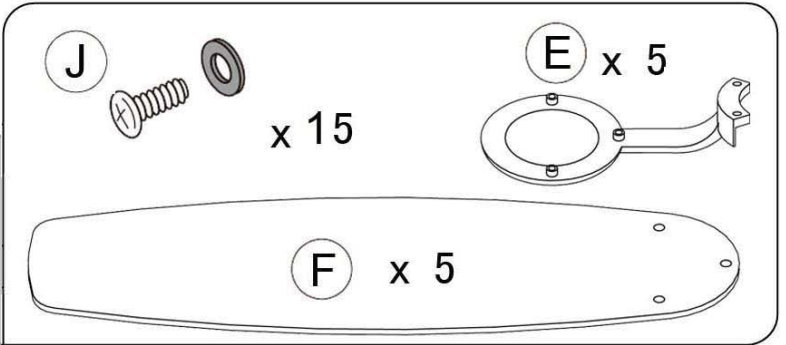
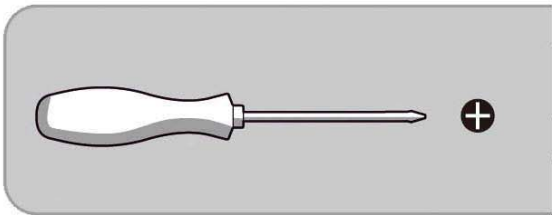
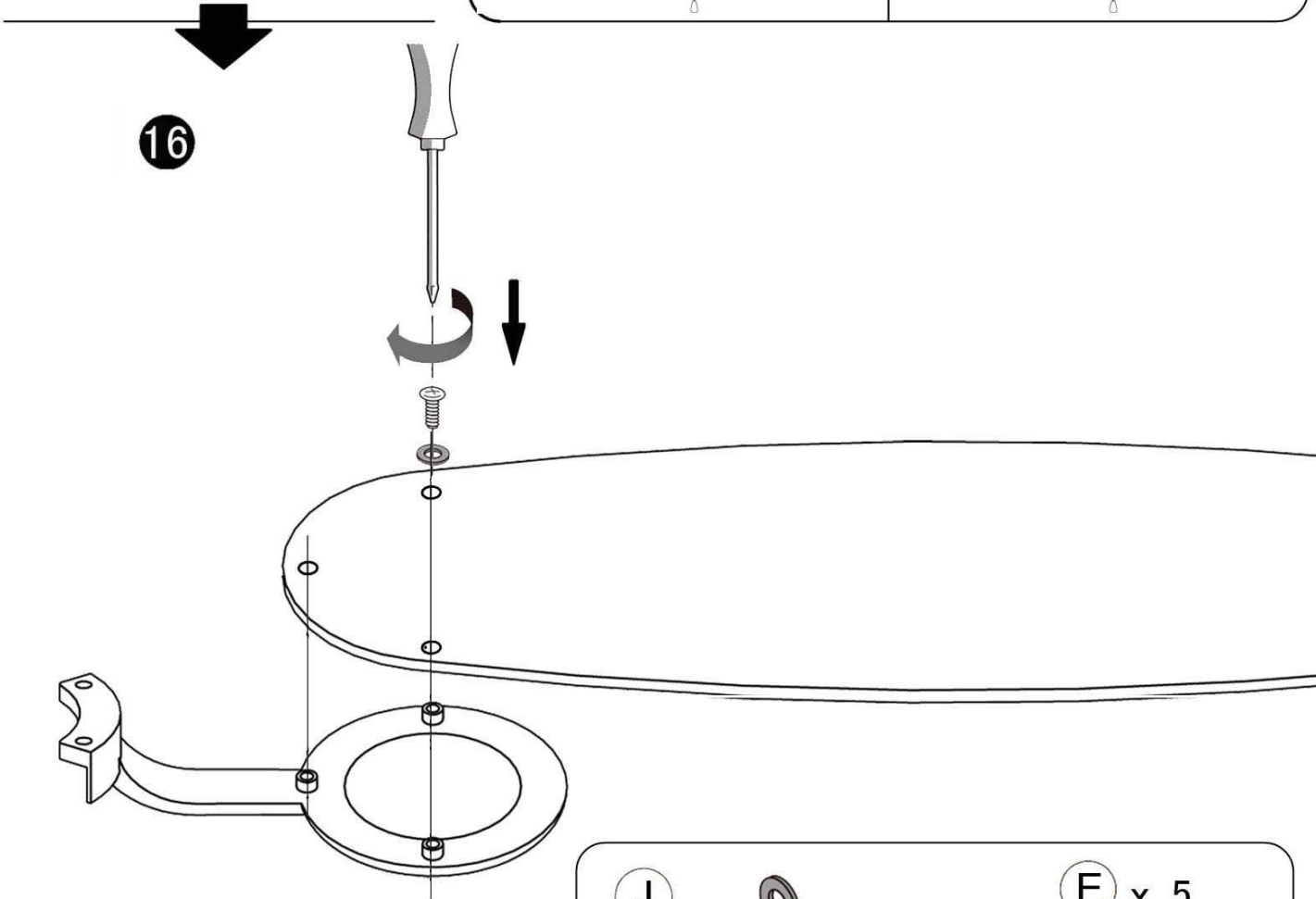
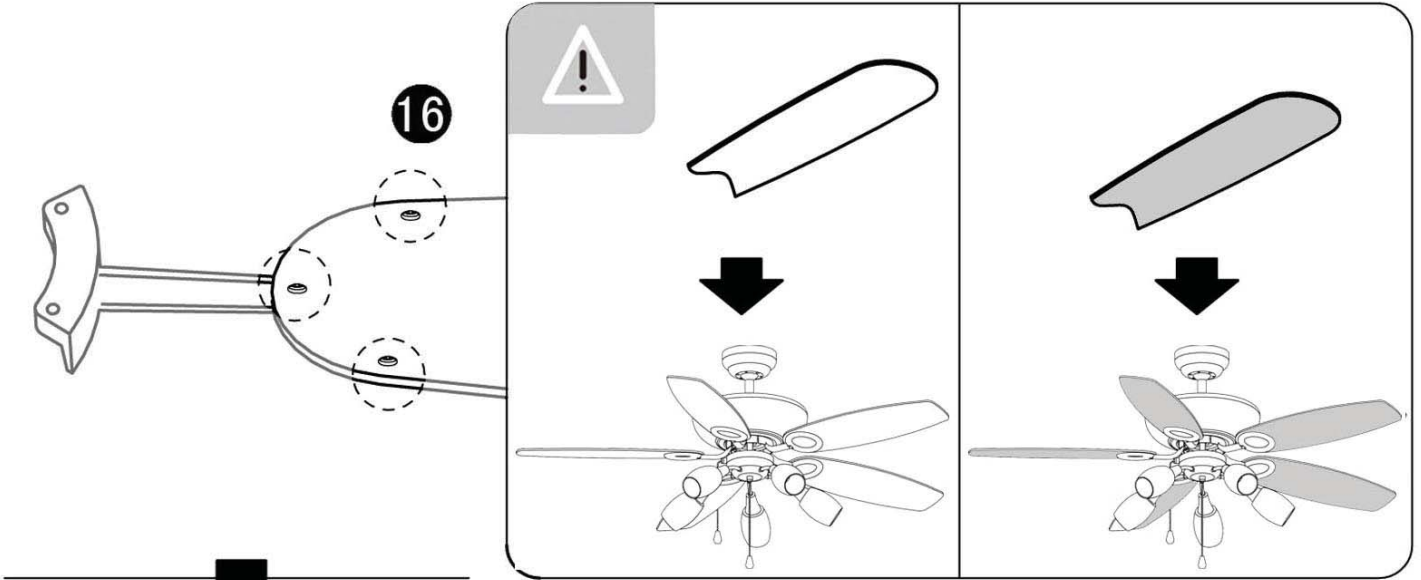


9-2

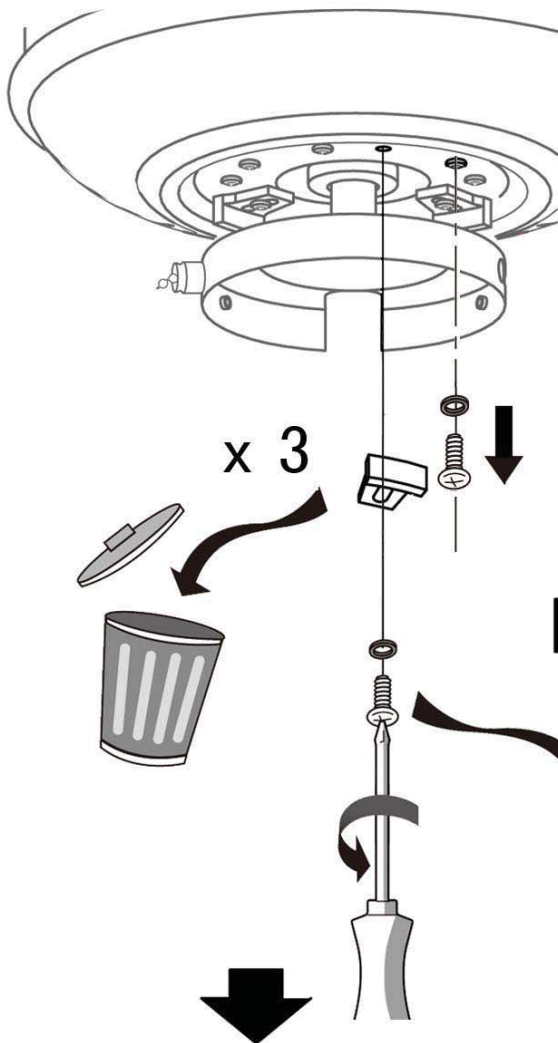


 +

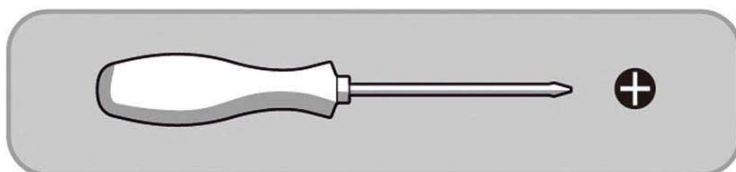
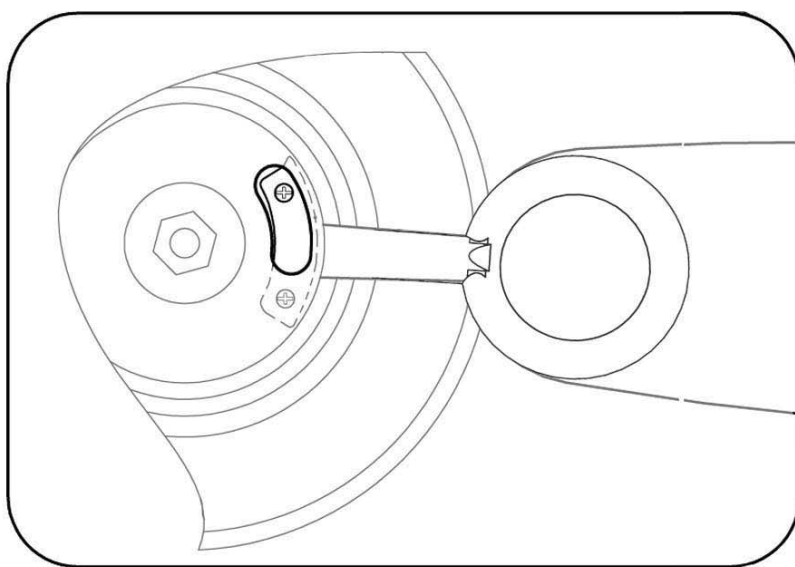
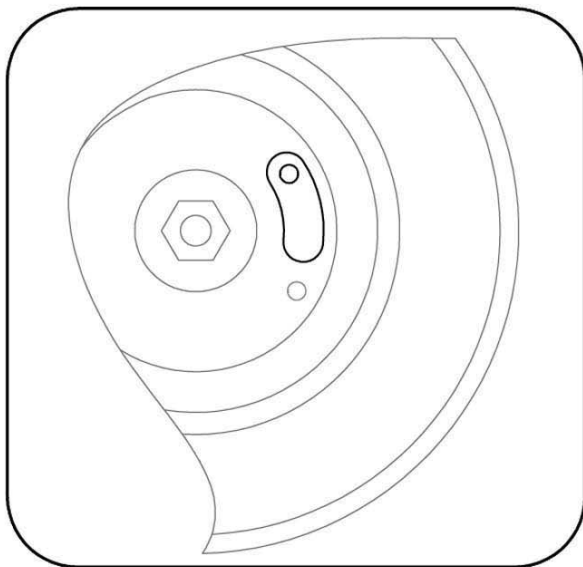
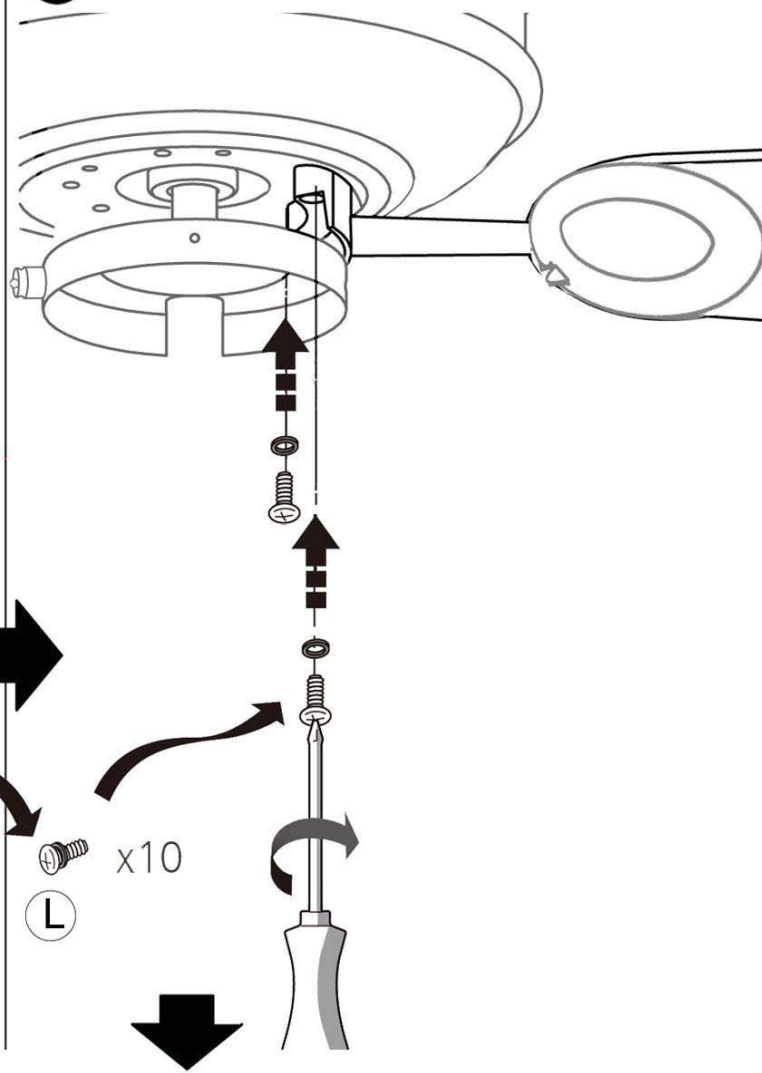
(K)  x2

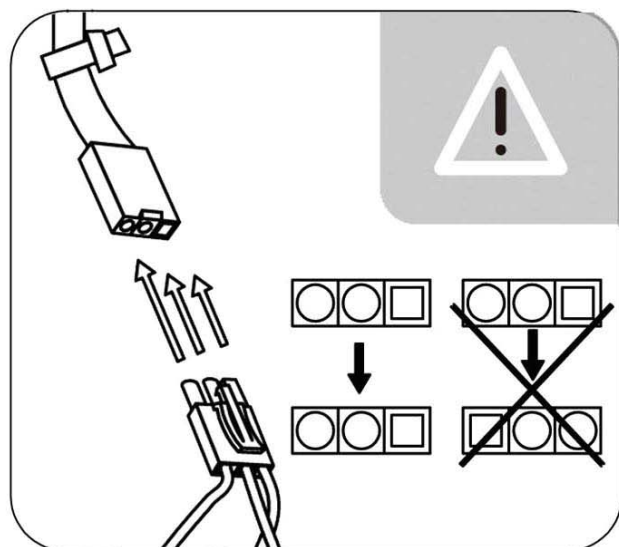
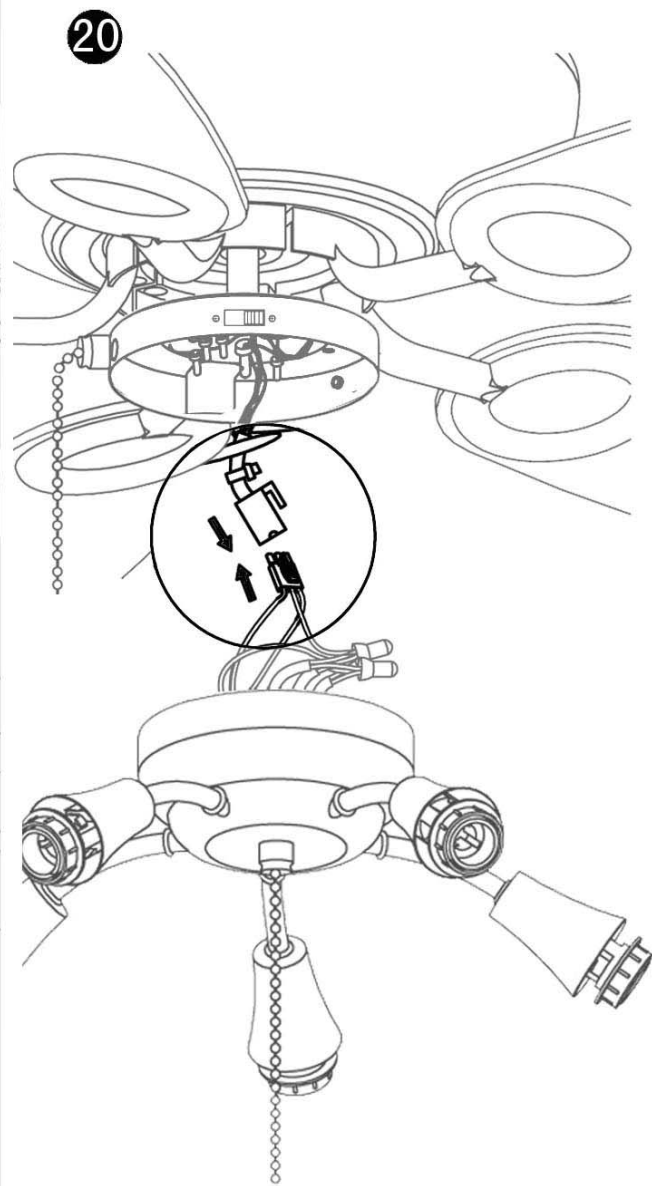
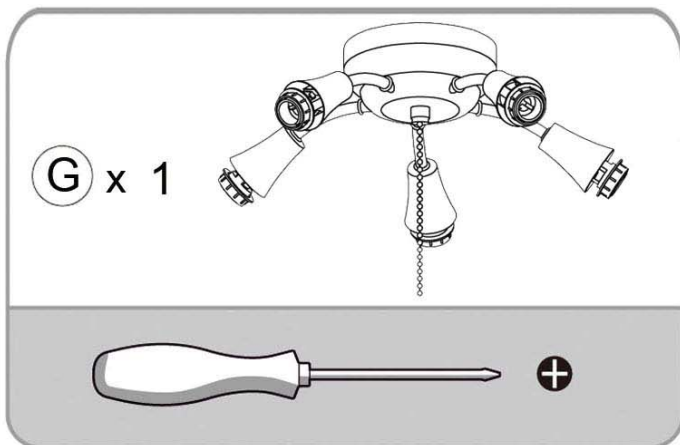
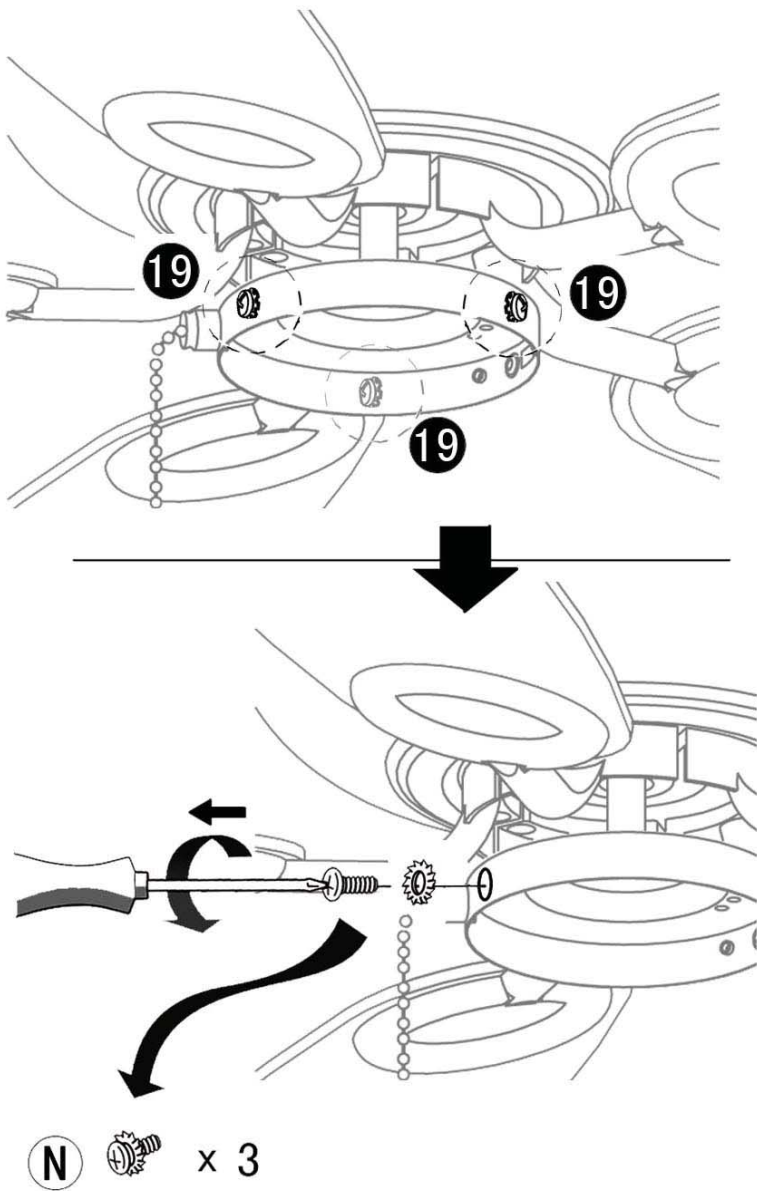


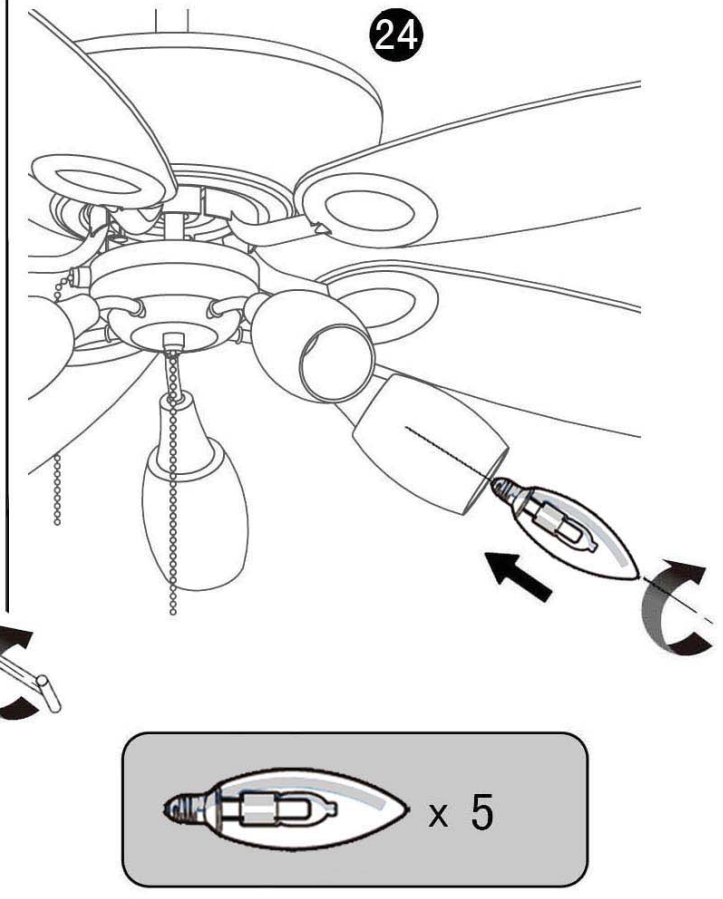
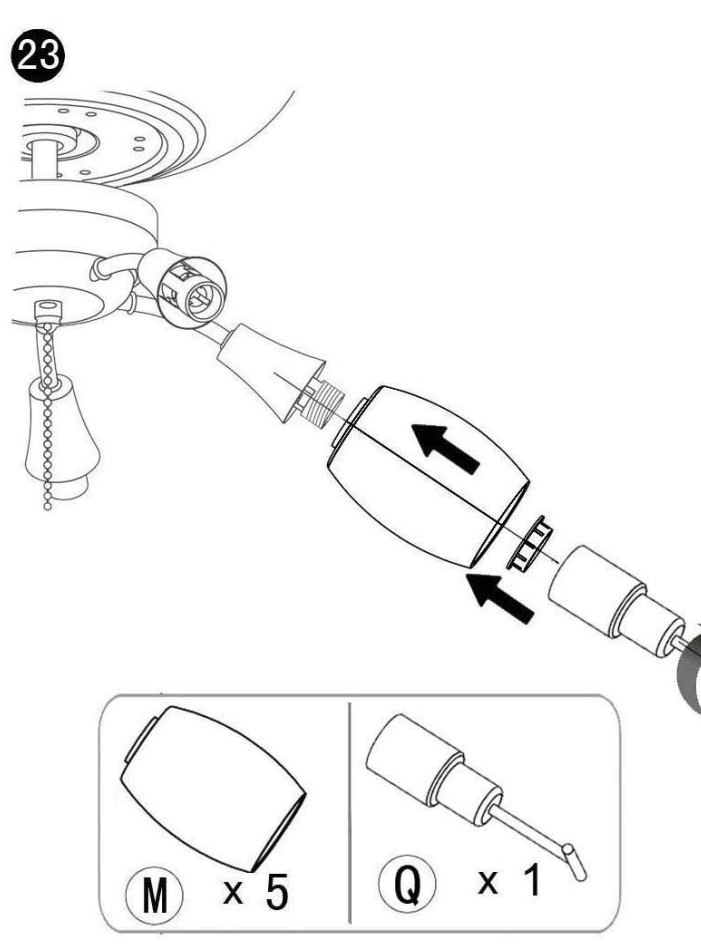
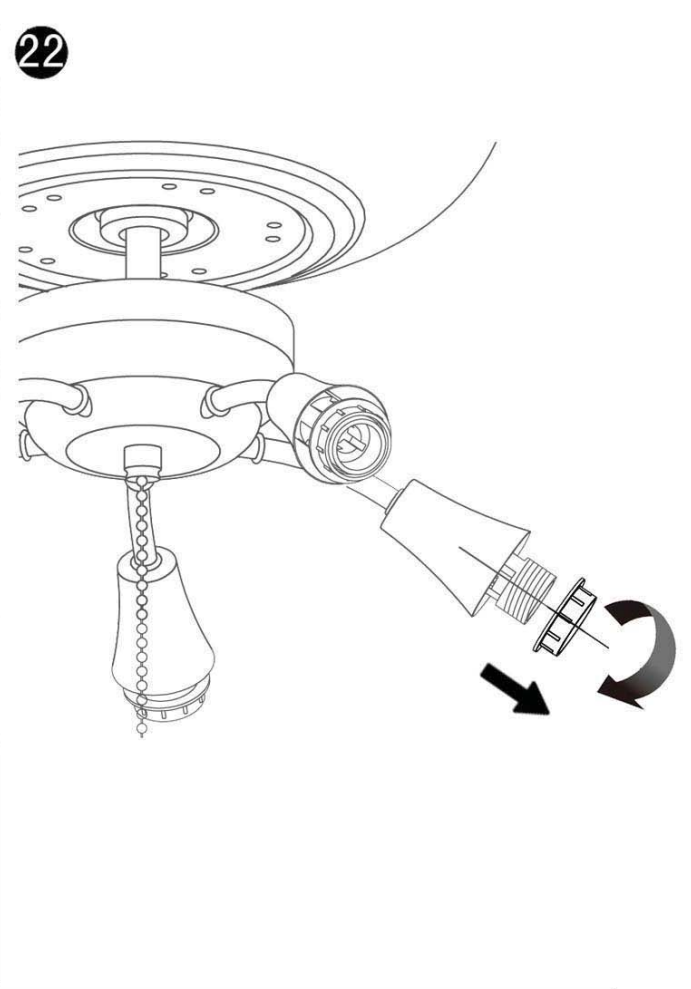
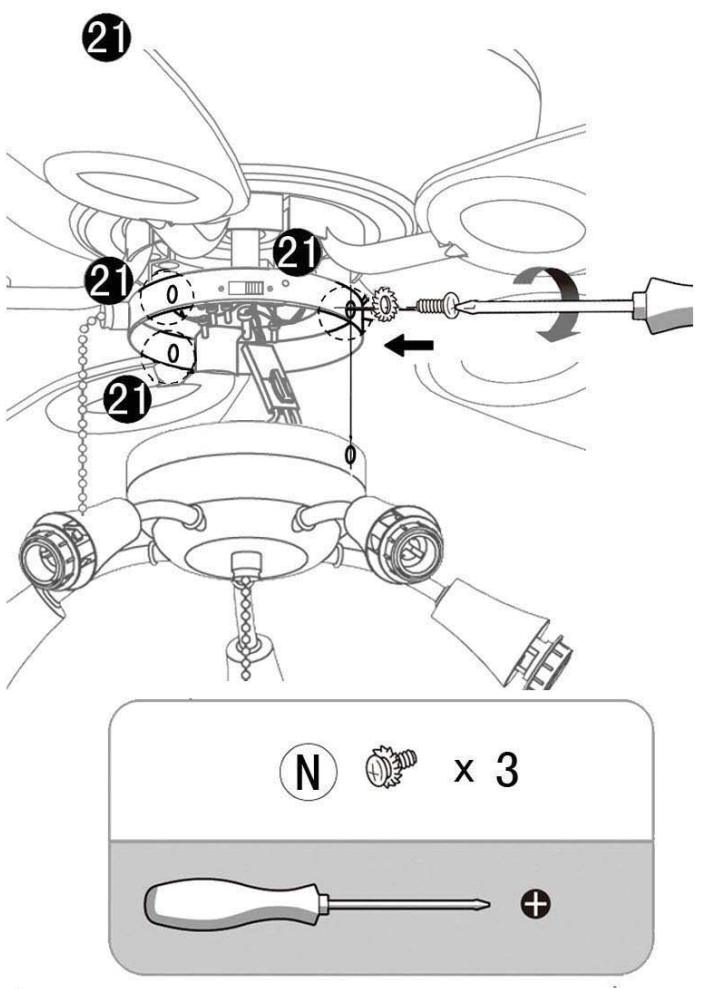
17

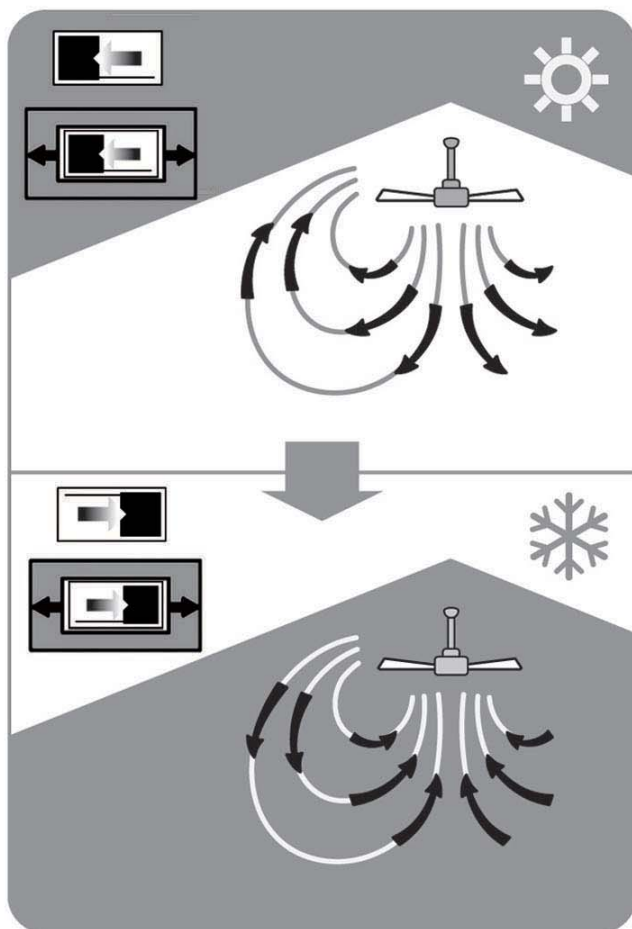
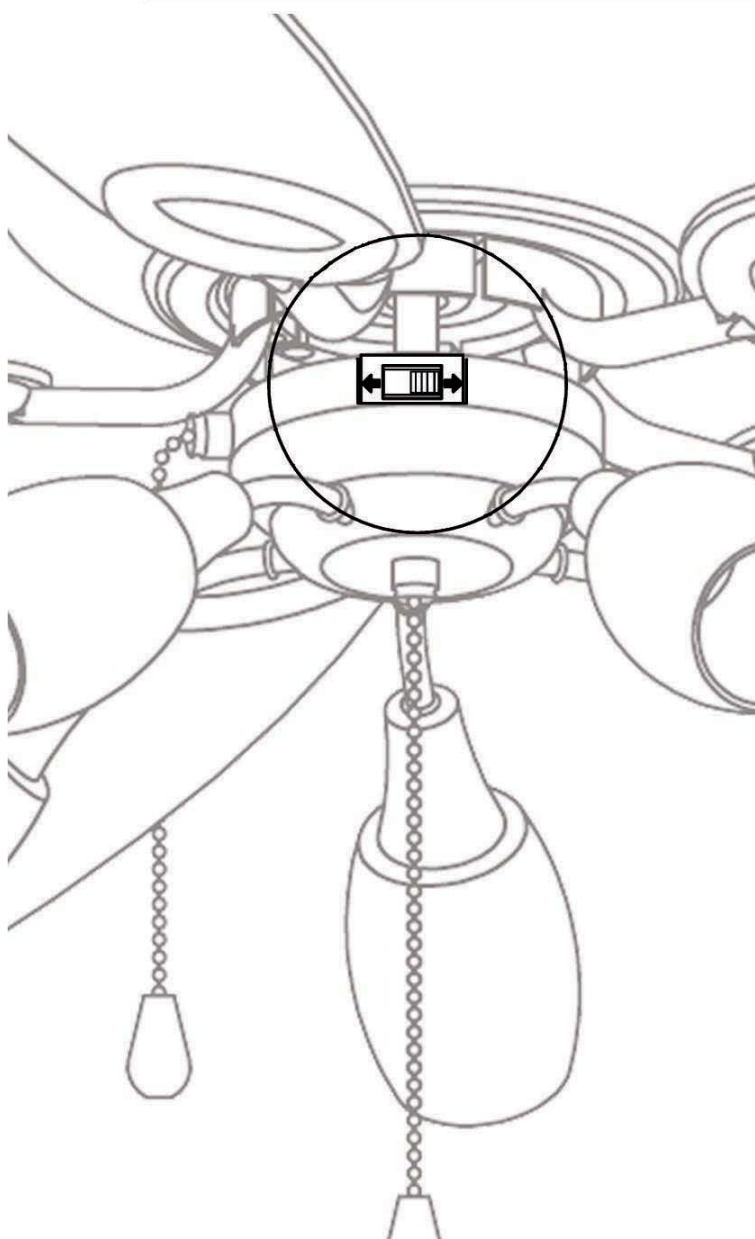
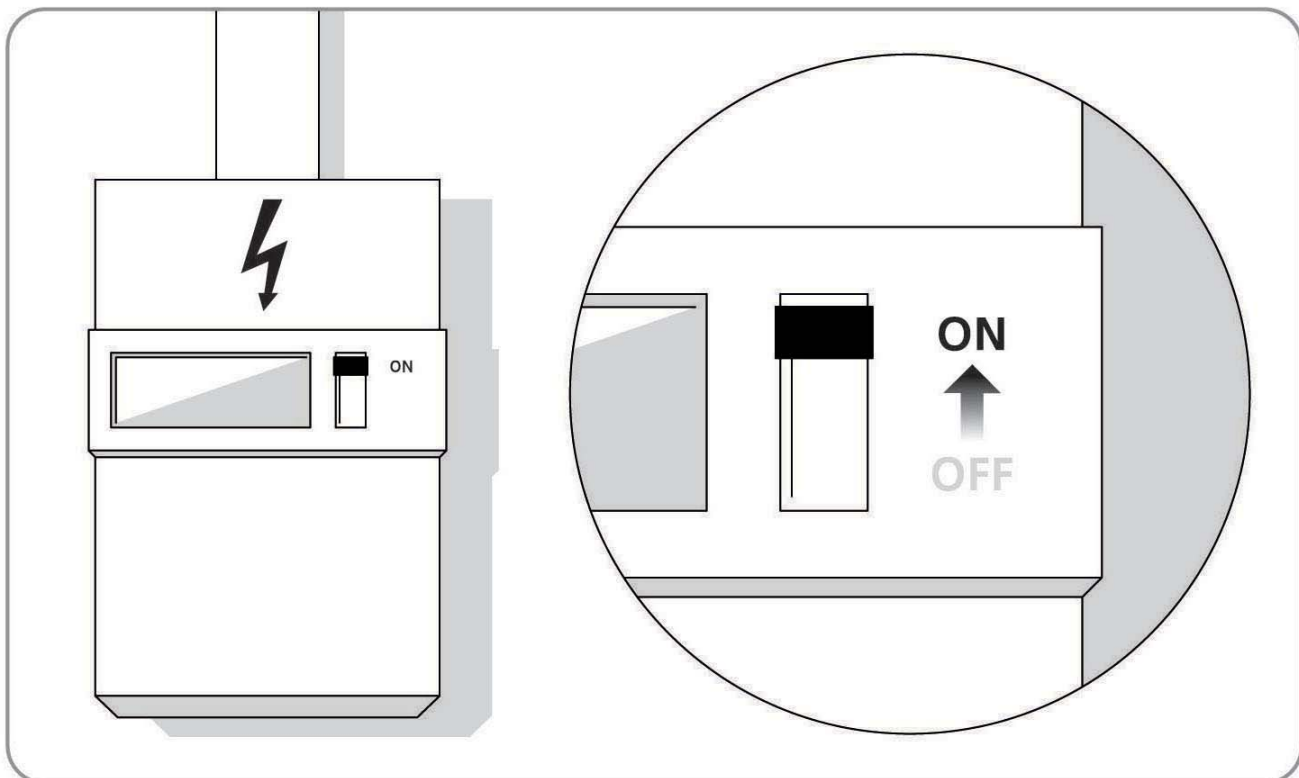


18



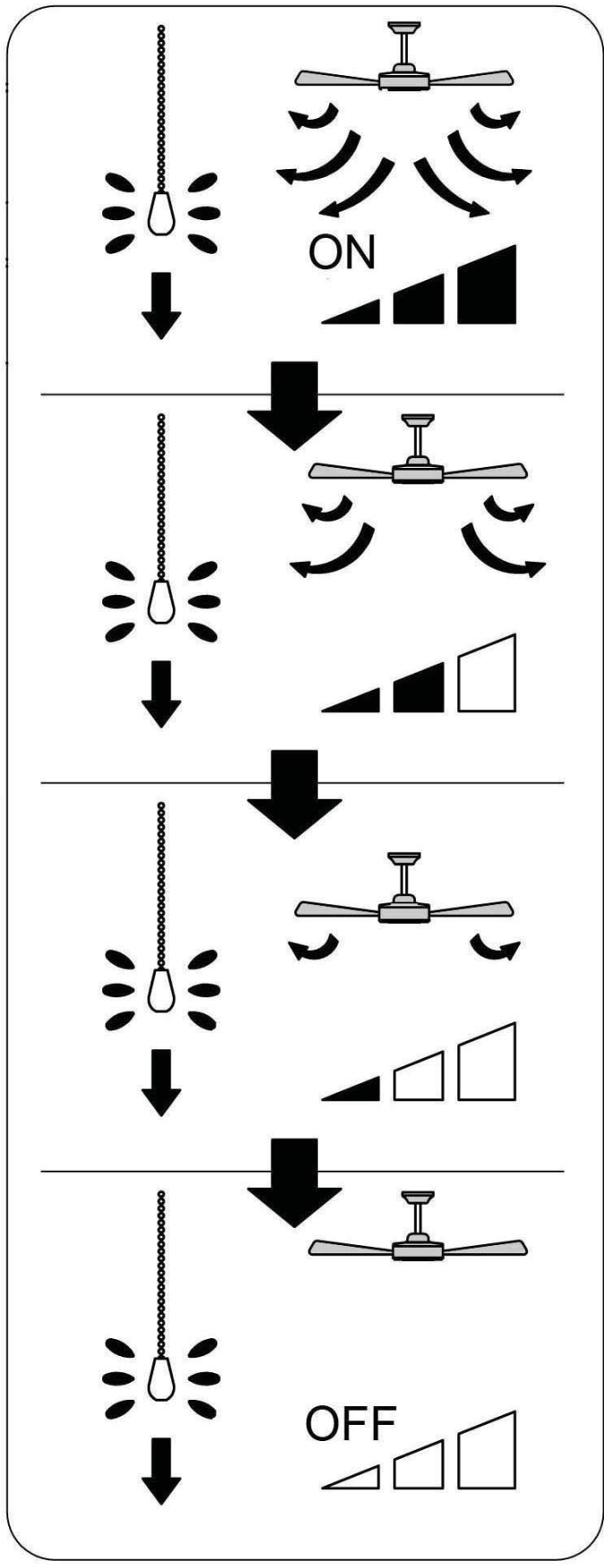
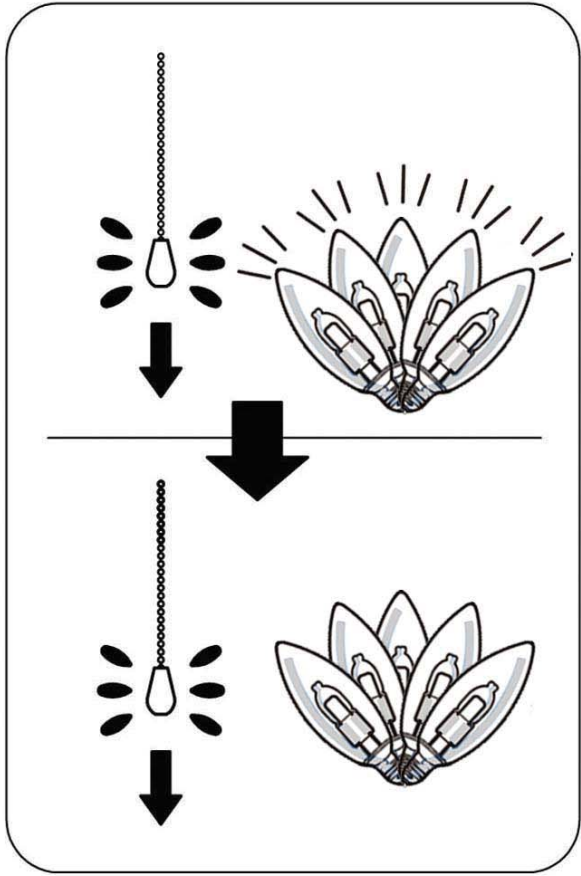
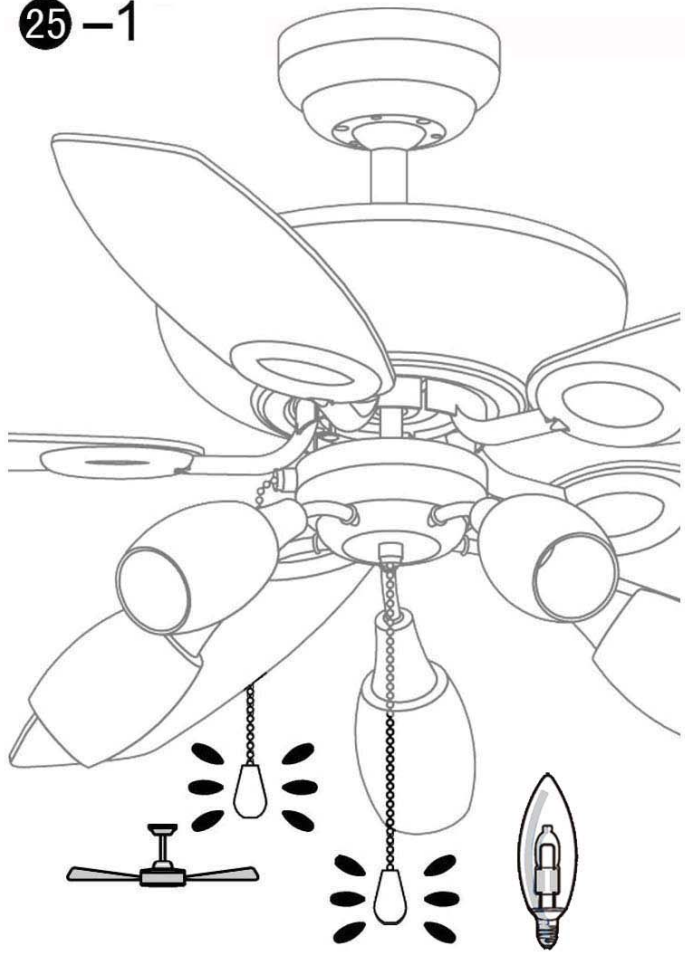


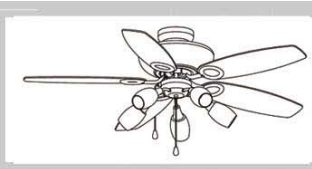




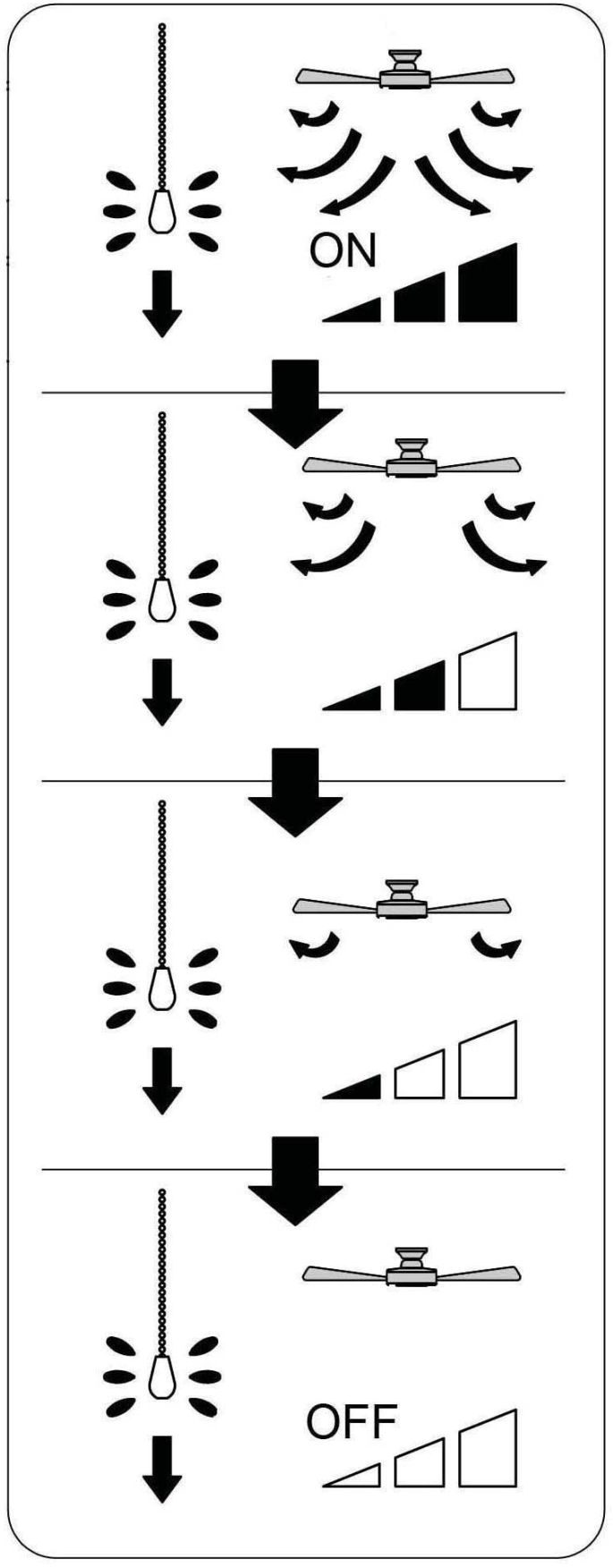
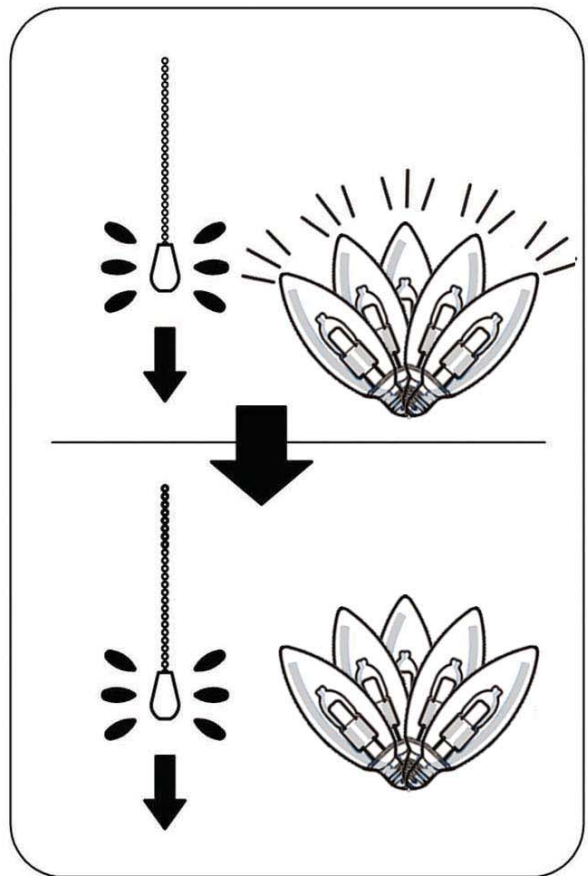
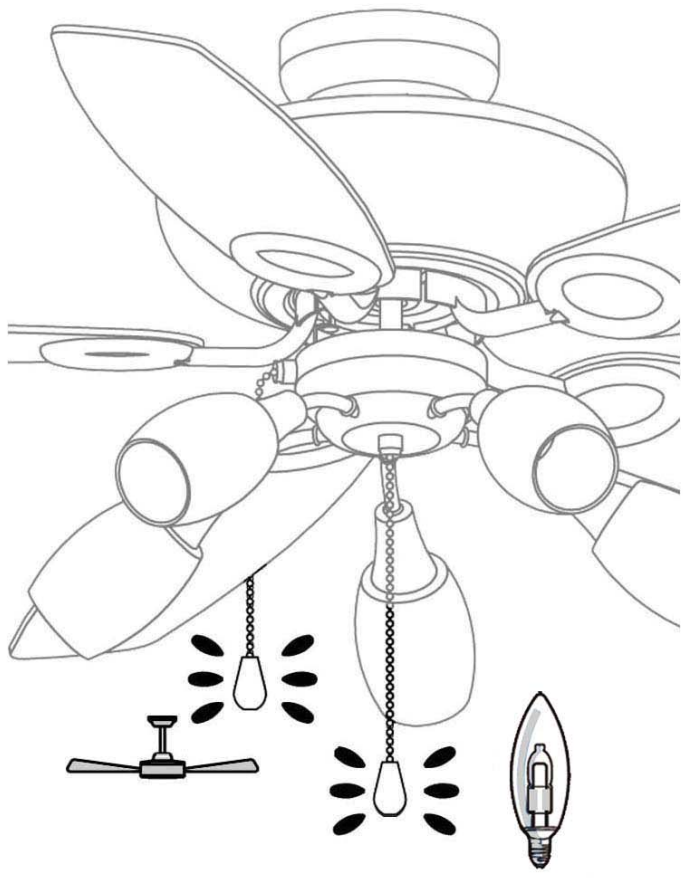


25-1



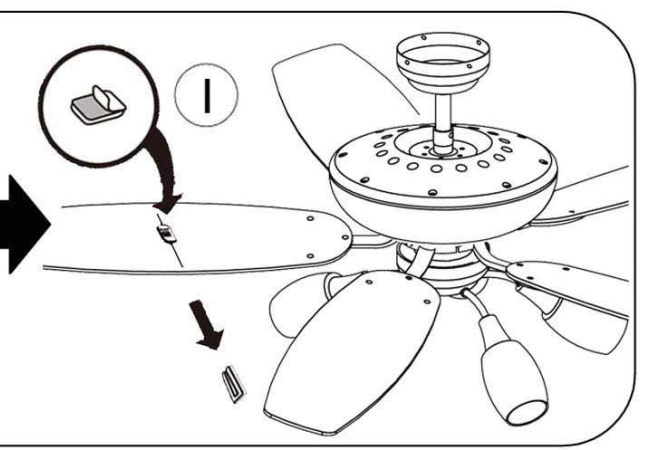
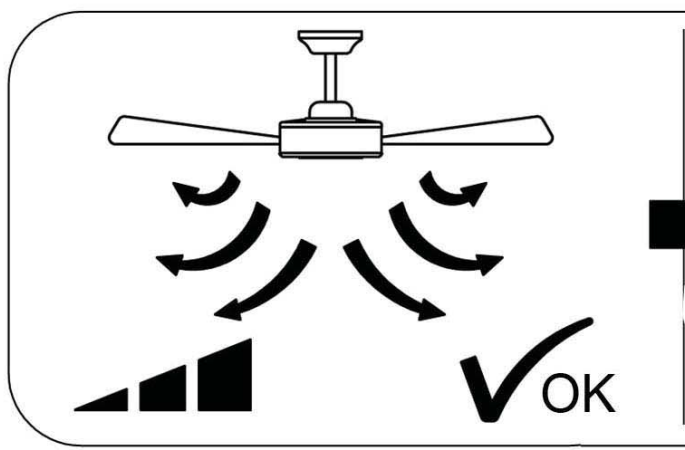
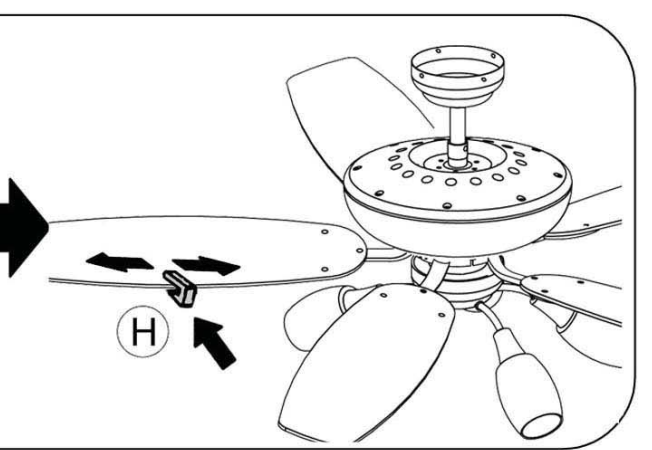
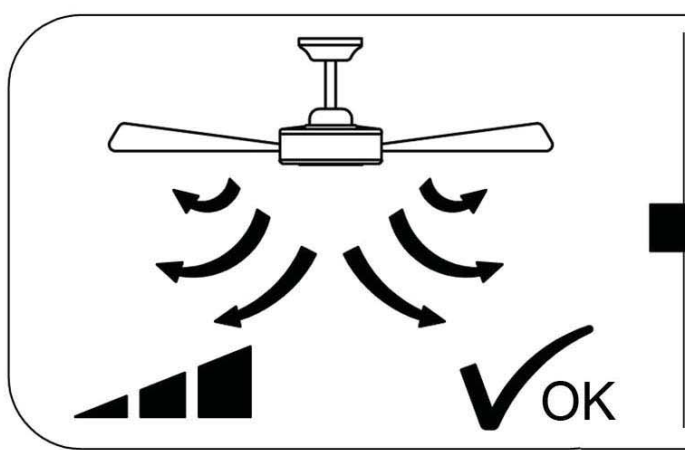
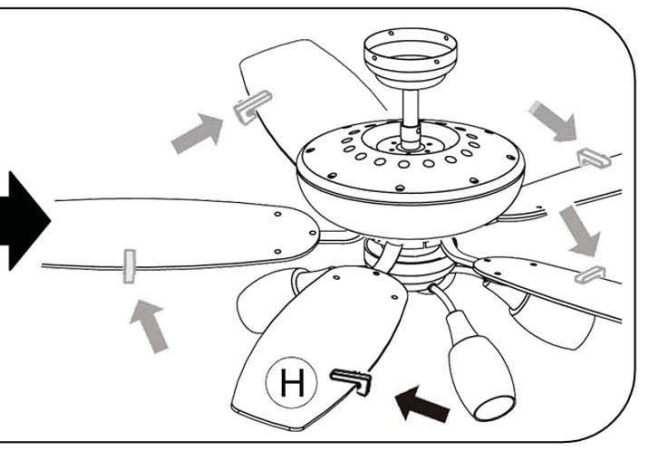
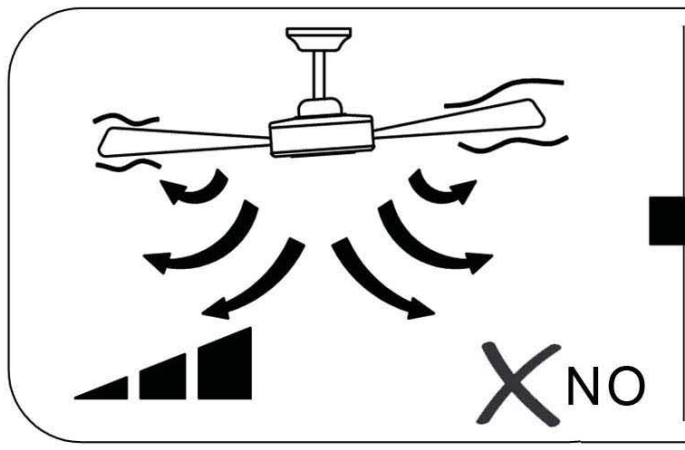
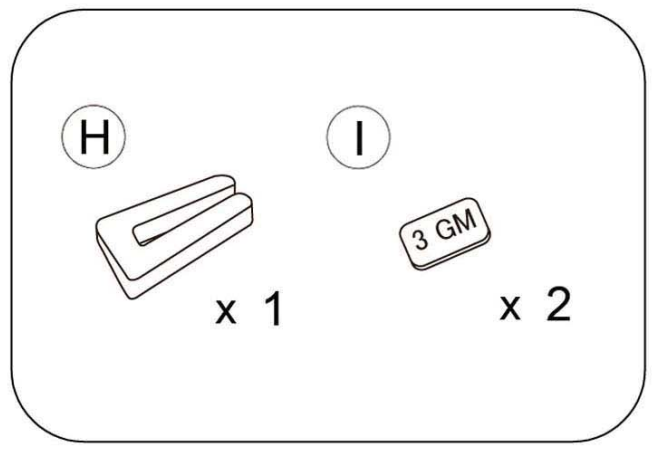
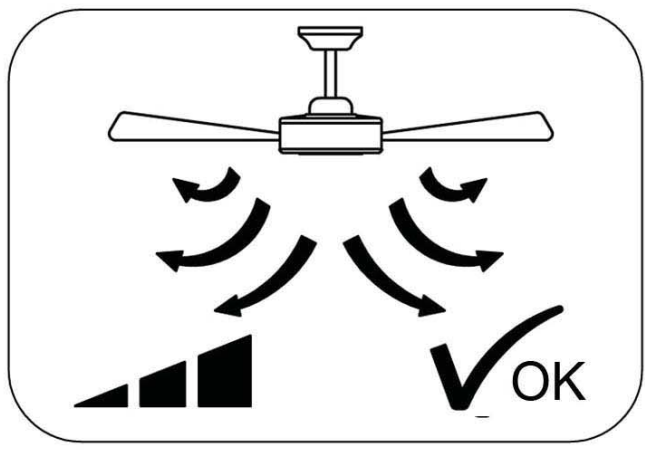


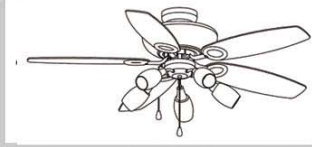
25-2





26-1





26-2

