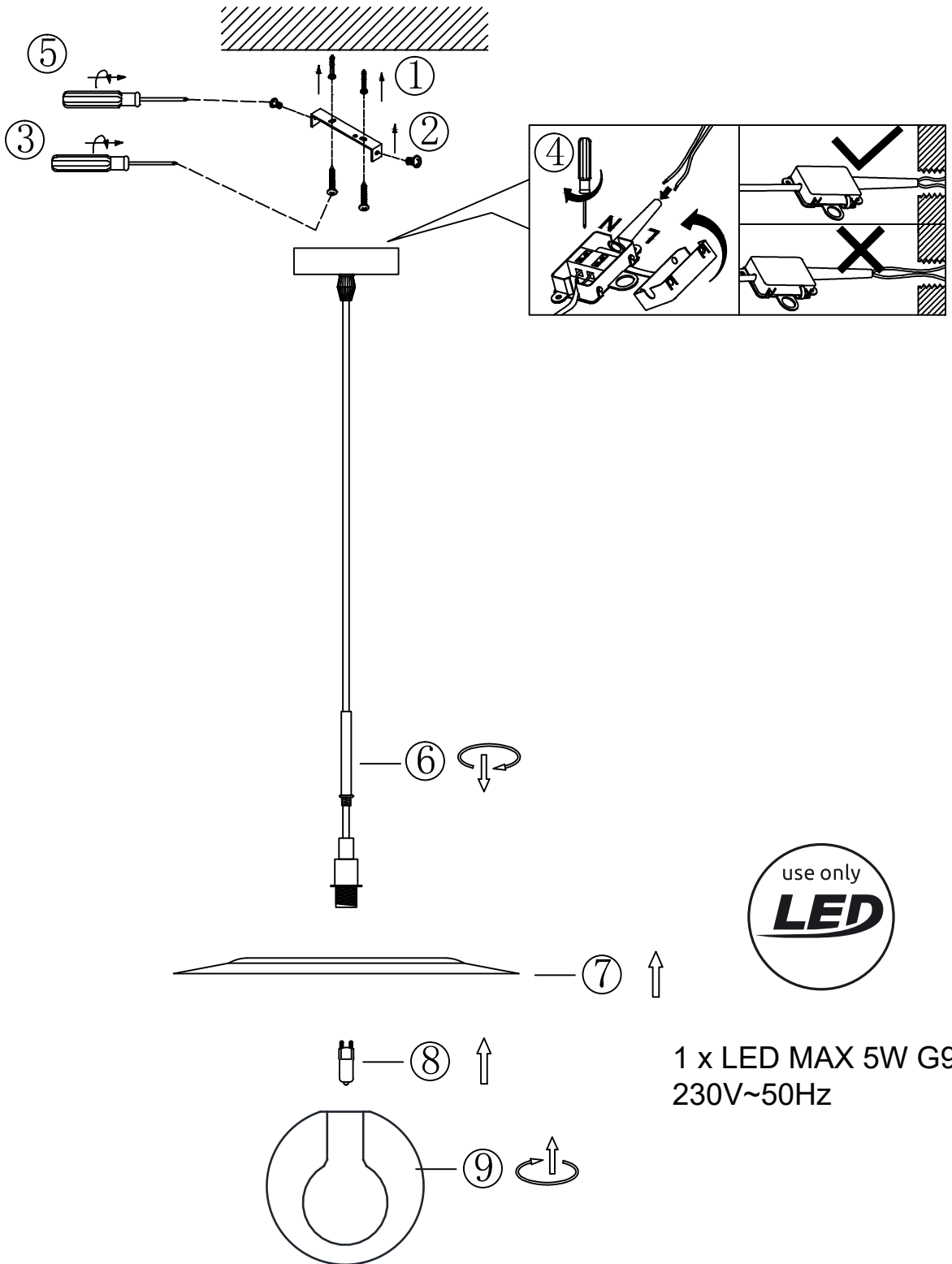


**GLOBO**  
LIGHTING

15169G  
15169S

**B**



1 x LED MAX 5W G9  
230V~50Hz

GLOBO Handels GmbH  
Gewerbestr. 3  
A-9184 Sankt Peter Austria  
[www.globo-lighting.com](http://www.globo-lighting.com)  
[office@globo-lighting.com](mailto:office@globo-lighting.com)

