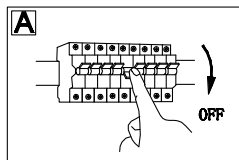


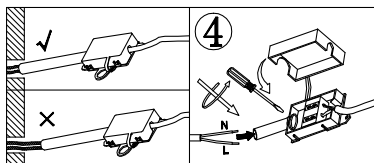
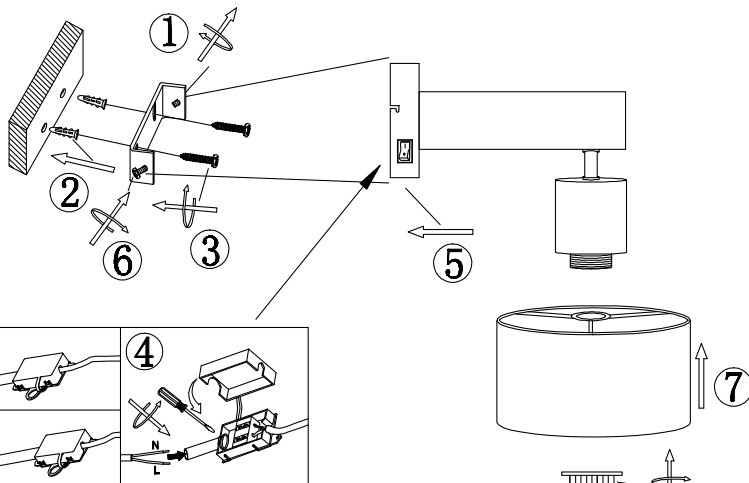
# GLOBO

LIGHTING

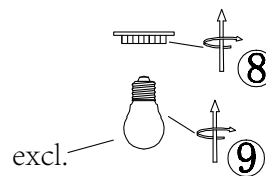
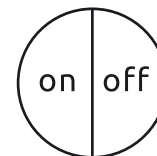
[www.globo-lighting.com](http://www.globo-lighting.com)



B



## 15651W



GLOBO Handels GmbH  
Gewerbestrasse 3  
A-9184 Sankt Peter  
Austria

