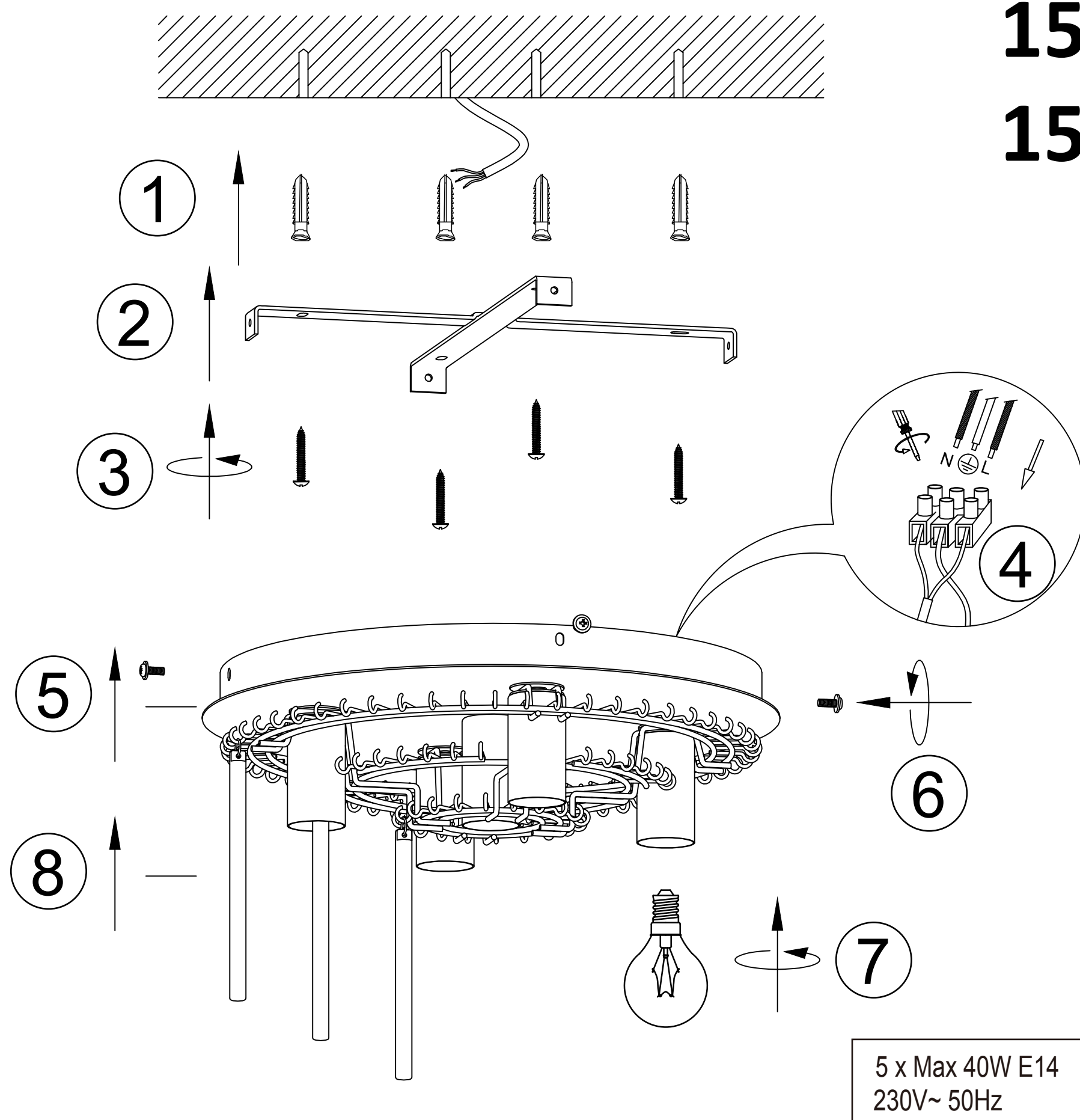


B

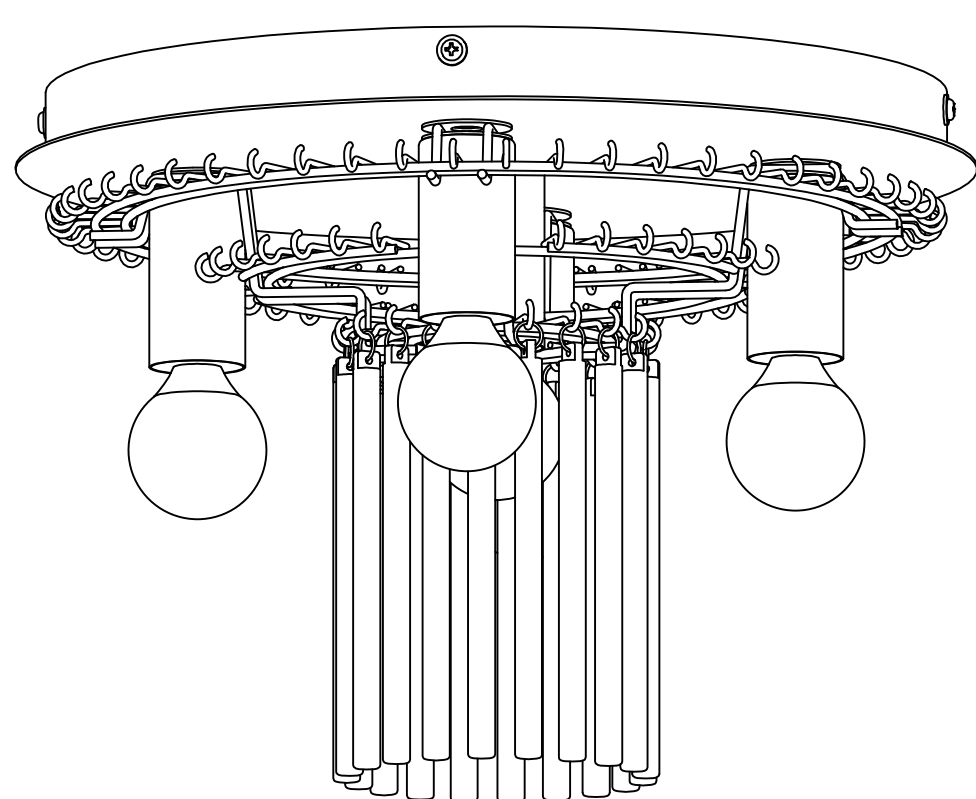
# GLOBO

LIGHTING

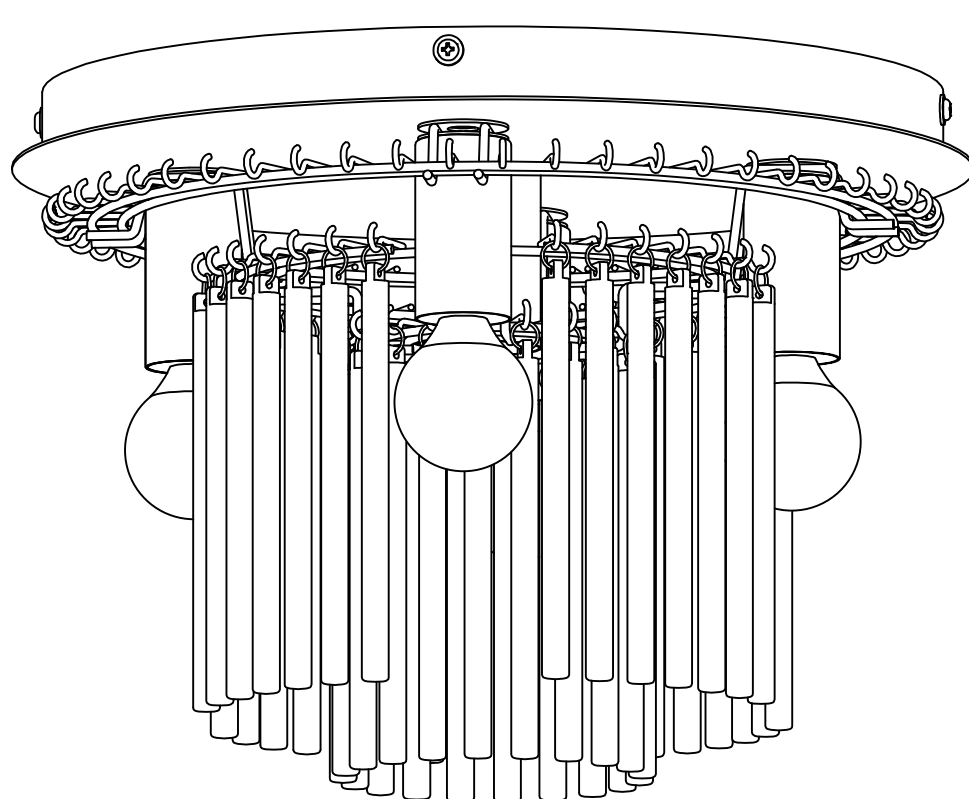
**15698D**  
**15698DM**



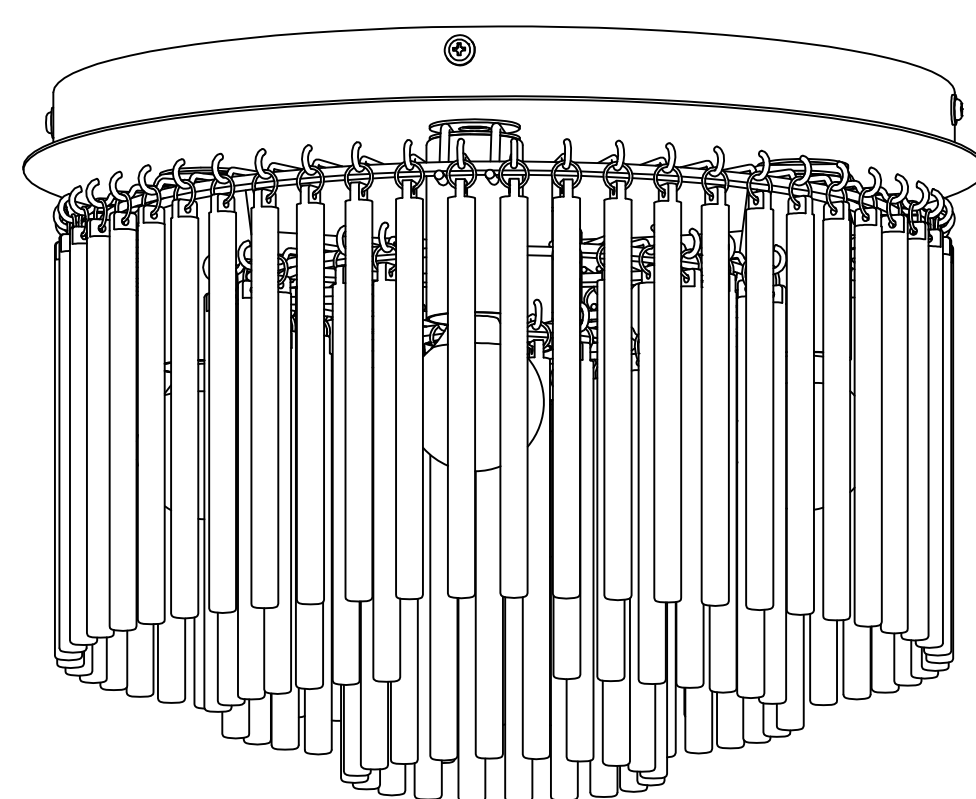
5 x Max 40W E14  
230V~ 50Hz



A



B



C

GLOBO Handels GmbH  
Gewerbestr. 3  
A-9184 Sankt Peter  
Austria  
[www.globo-lighting.com](http://www.globo-lighting.com)  
[office@globo-lighting.com](mailto:office@globo-lighting.com)

