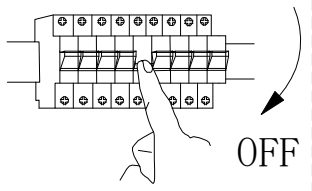
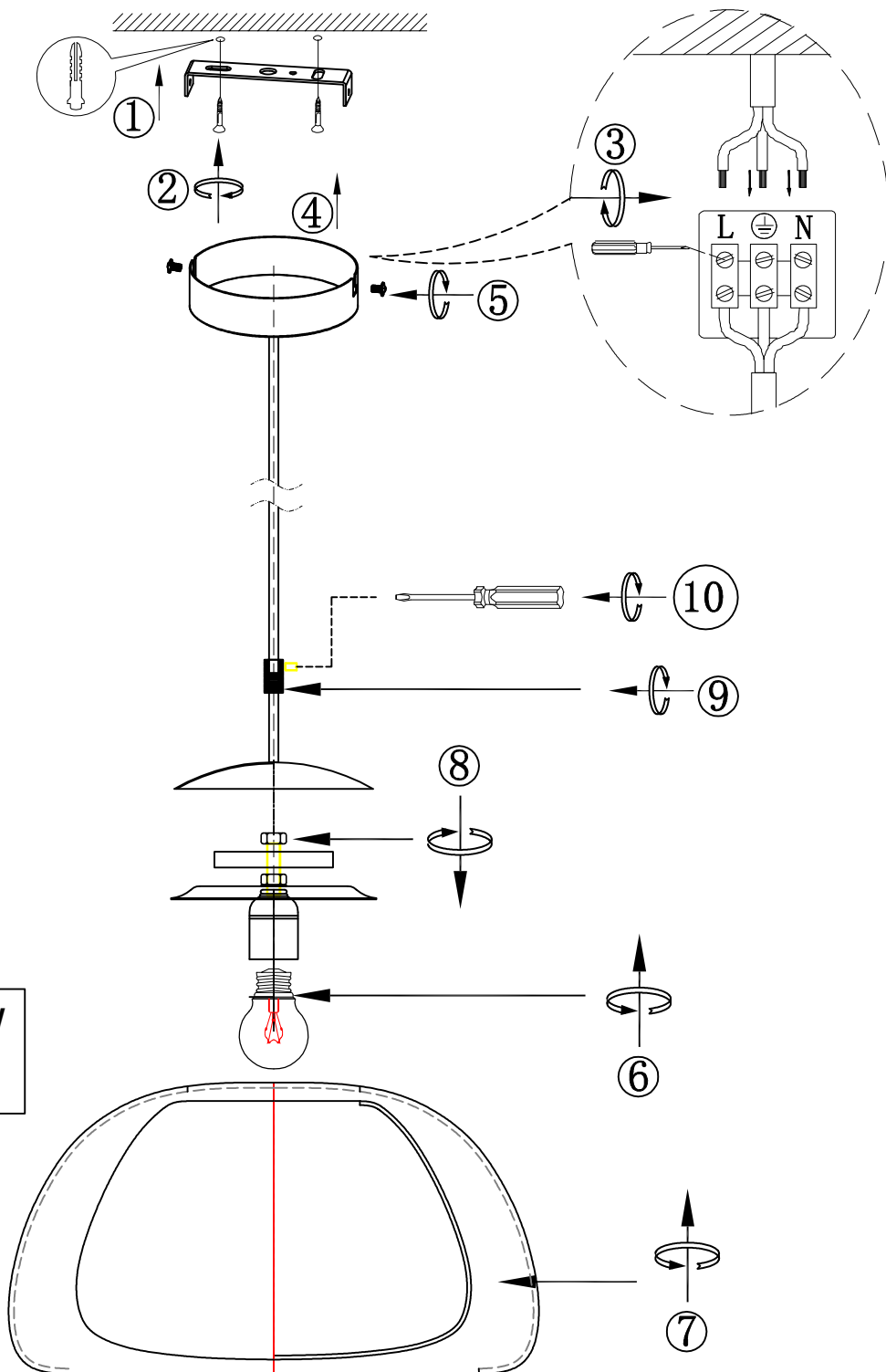


**A****GLOBO**

LIGHTING

15743H1

**B**

E27 MAX 60W  
230V~ 50Hz

GLOBO Handels GmbH  
Gewerbestr. 3  
A-9184 St. Peter, Austria  
[www.globo-lighting.com](http://www.globo-lighting.com)  
[office@globo-lighting.com](mailto:office@globo-lighting.com)

**C**