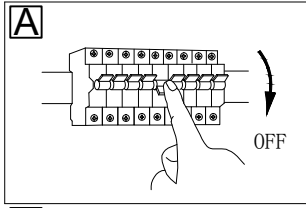
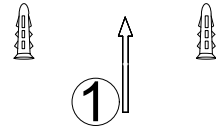


# GLOBO

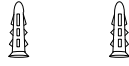
LIGHTING



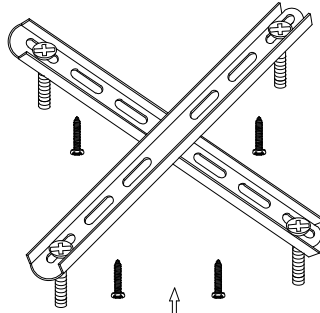
B



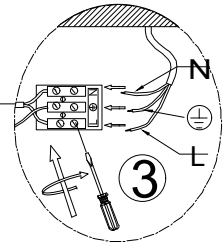
1



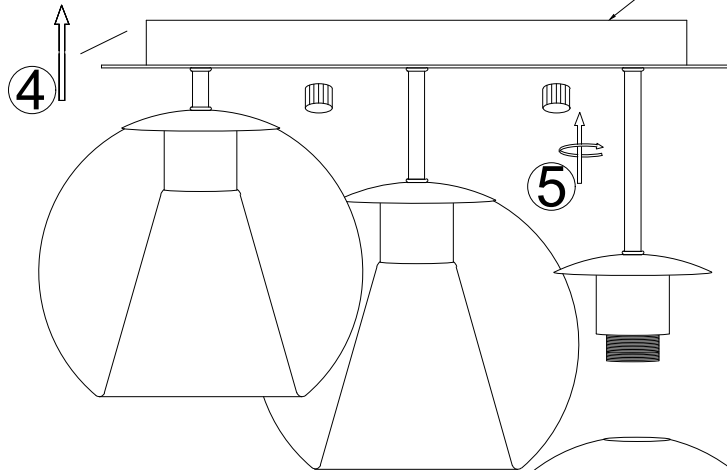
2



15749-3D  
15749N-3D

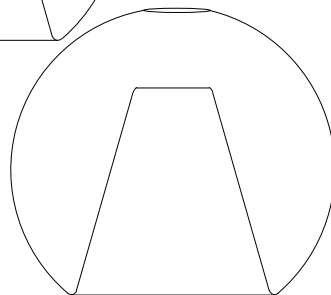


3



4

5



6

7

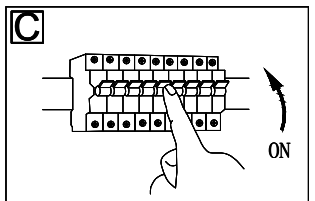
8

9



3x MAX 40W E27  
230V~ 50Hz

GLOBO Handels GmbH  
Gewerbestr. 3  
A-9184 Sankt Peter, Austria  
www.globo-lighting.com  
office@globo-lighting.com



C

ON