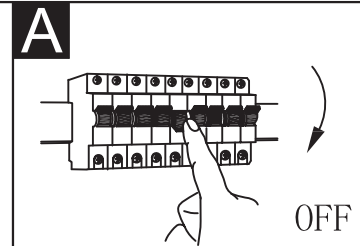
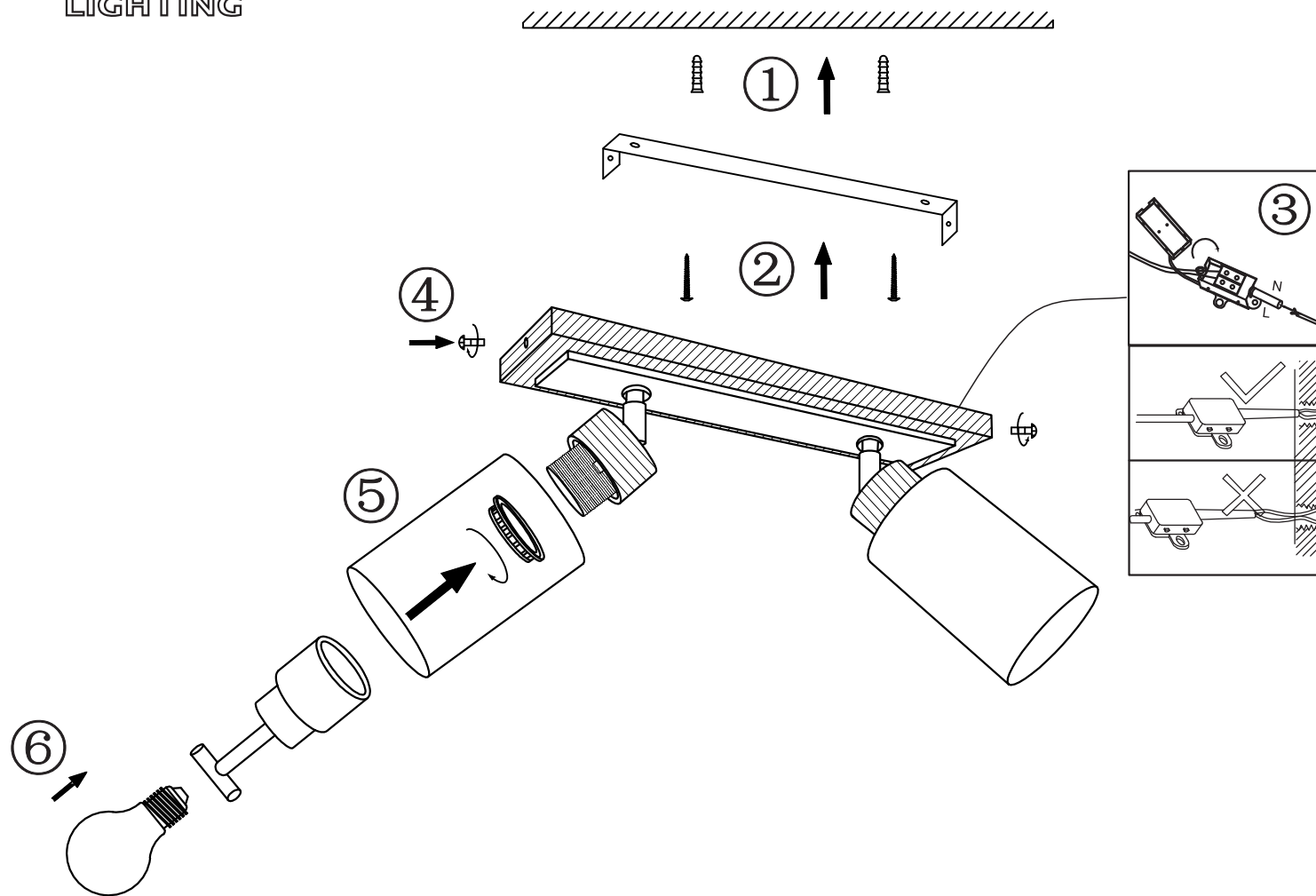
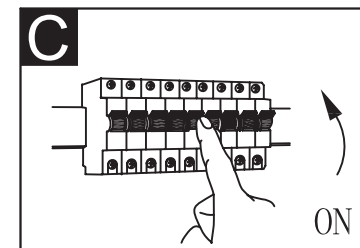


# GLOBO

LIGHTING



2 × max 60W E27  
230V~ 50Hz



**15977-2**

GLOBO Handels GmbH  
Gewerbestr. 3  
A-9184 Sankt Peter  
AUSTRIA  
[www.globo-lighting.com](http://www.globo-lighting.com)  
[office@globo-lighting.com](mailto:office@globo-lighting.com)