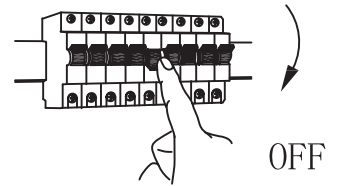


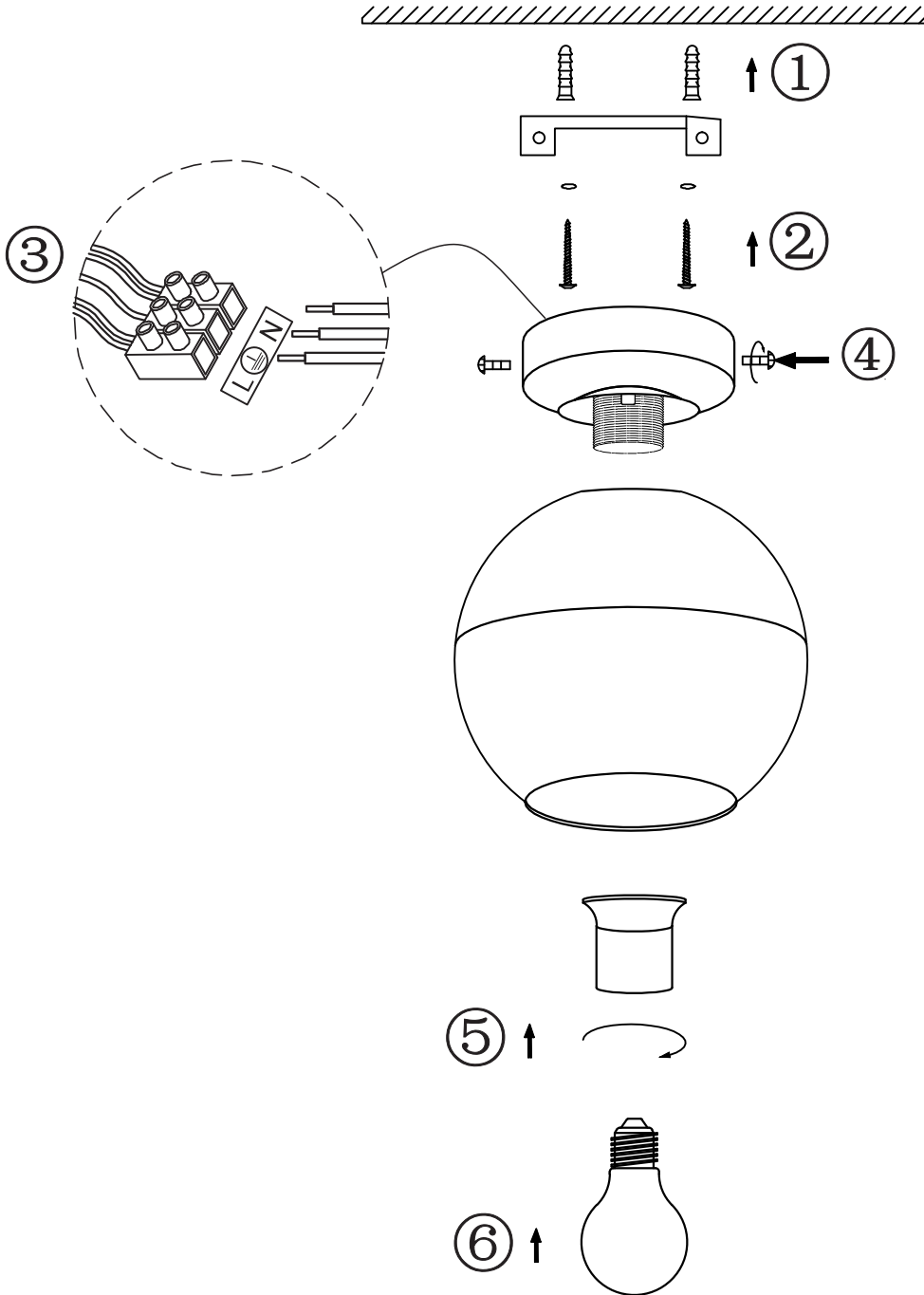
# GLOBO

LIGHTING

**A**



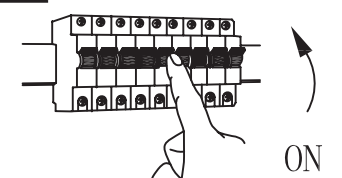
**B**



1 × max 60W E27  
230V ~ 50Hz

GLOBO Handels GmbH  
Gewerbestr. 3  
A-9184 Sankt Peter  
AUSTRIA  
[www.globo-lighting.com](http://www.globo-lighting.com)  
[office@globo-lighting.com](mailto:office@globo-lighting.com)

**C**



15999-1D