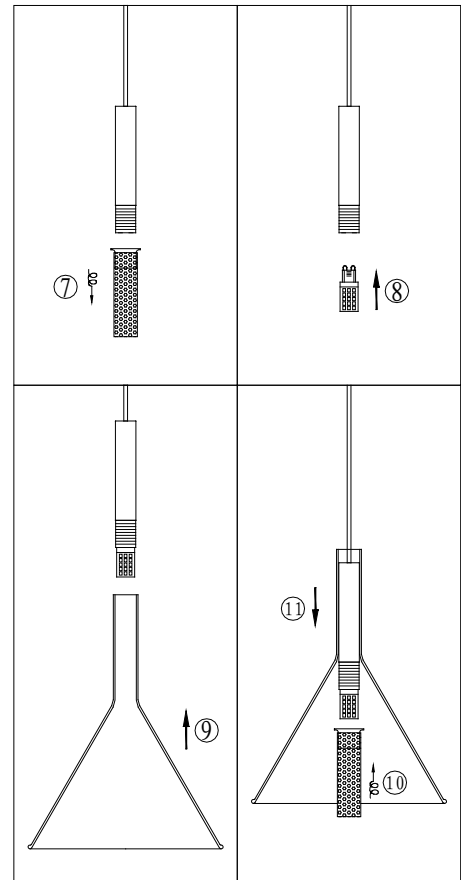
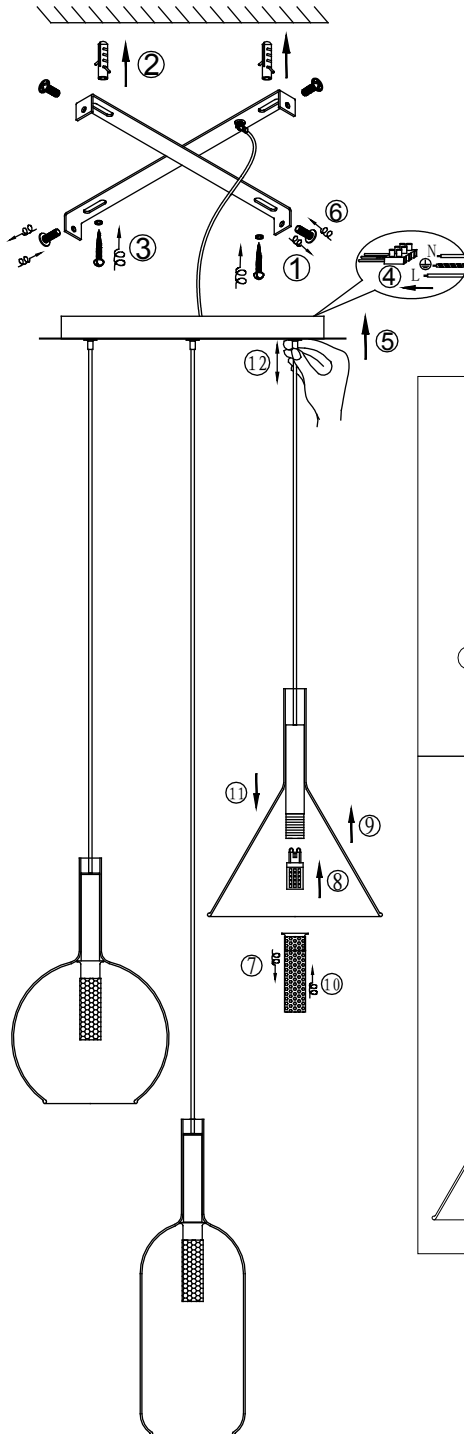


**B**



**3xMAX 10W LED G9**  
**230V~ 50Hz**

