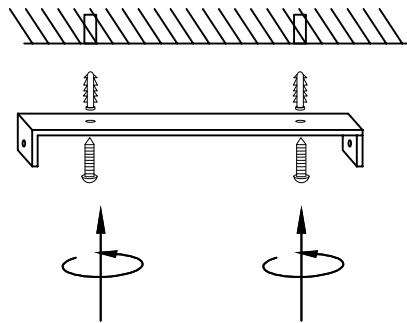
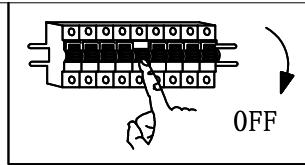
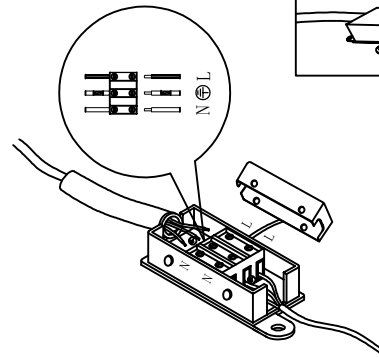
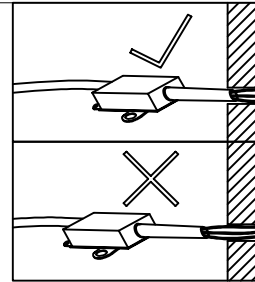


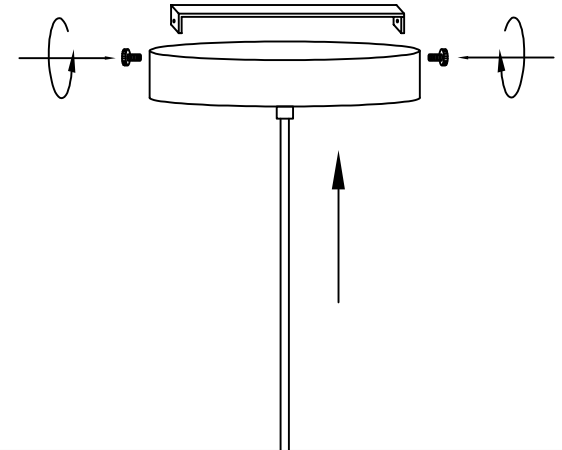
1



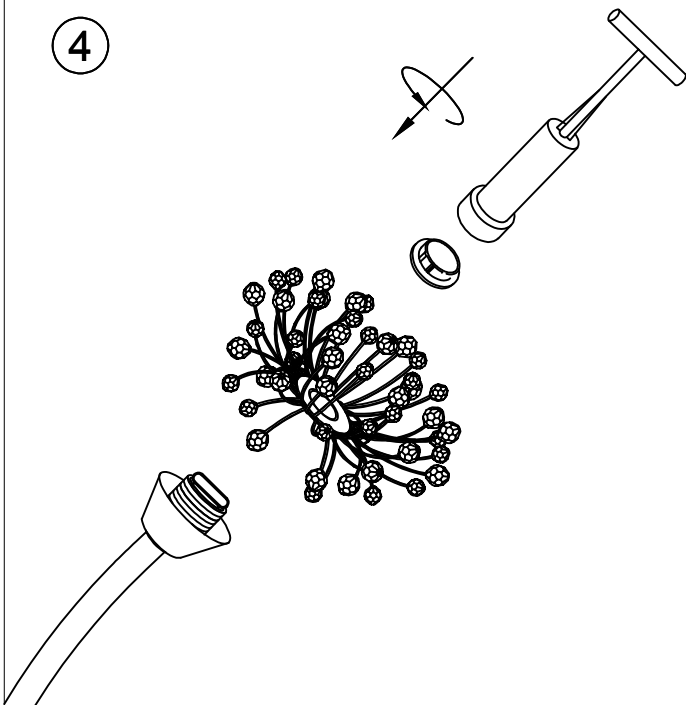
2



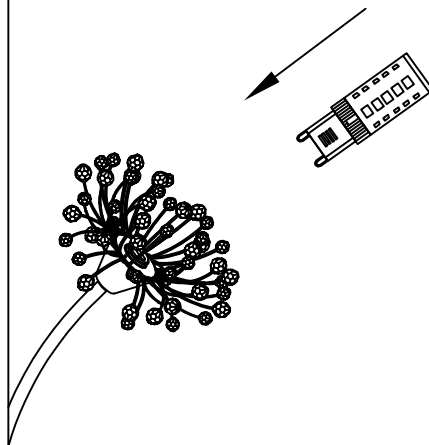
3



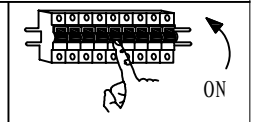
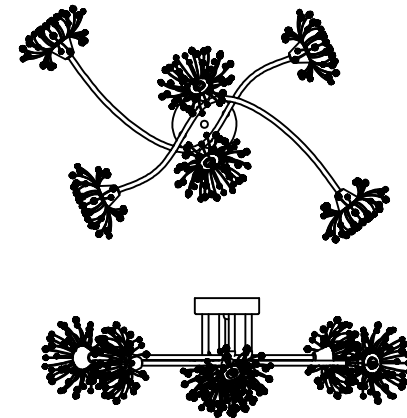
4



5



6



6X MAX 5W LED G9  
230V~50/60Hz

GLOBO Handels GmbH  
Gewerbestr. 3  
A-9184 Sankt Peter  
AUSTRIA  
www.globo-lighting.com  
office@globo-lighting.com