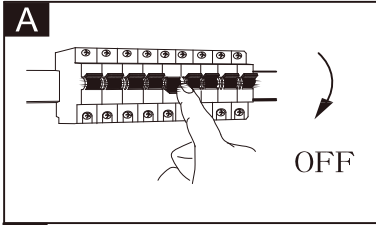


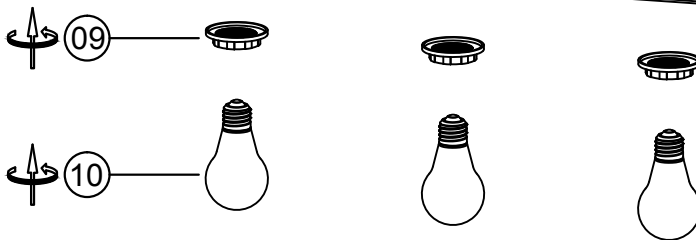
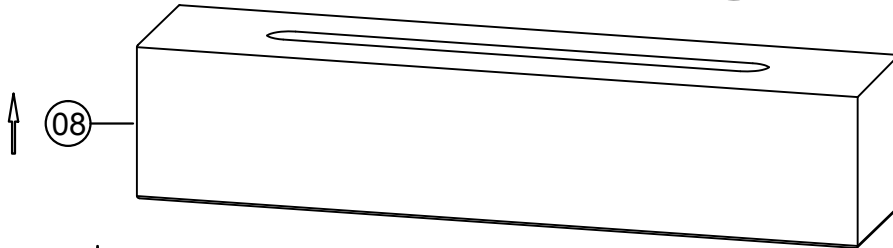
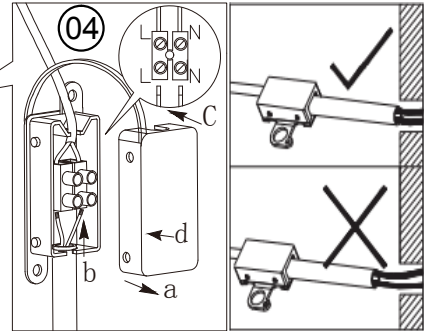
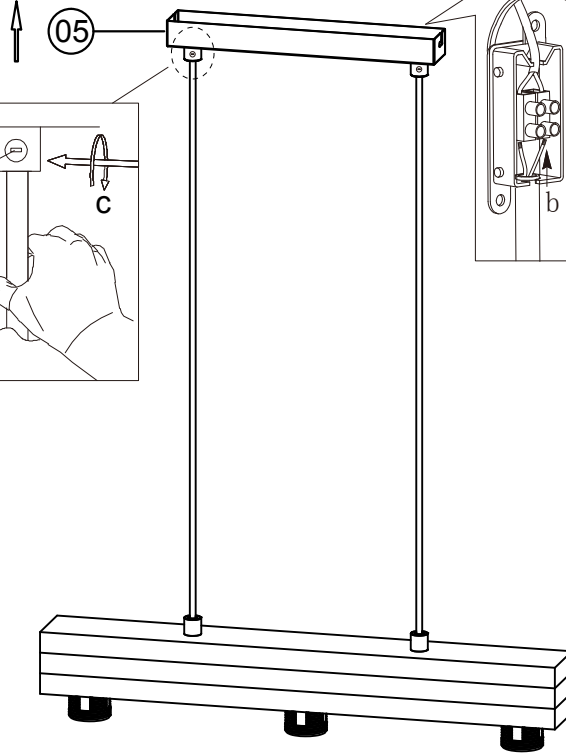
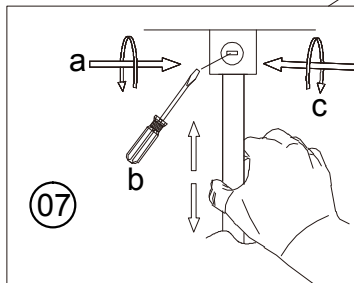
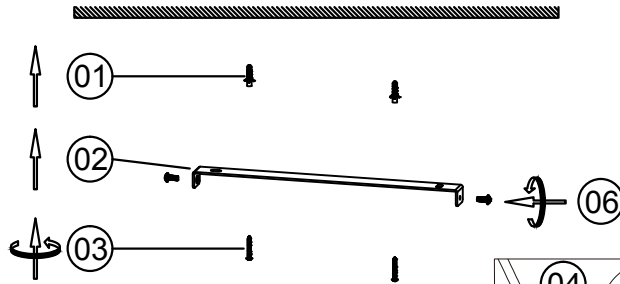
GLOBO

LIGHTING

16105H



B



3 x E27 230V MAX 60W

GLOBO Handels GmbH
 Gewerbestrasse 3
 A-9184 Sankt Peter, AUSTRIA
www.globo-lighting.com
office@globo-lighting.com

