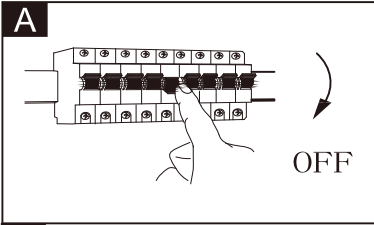


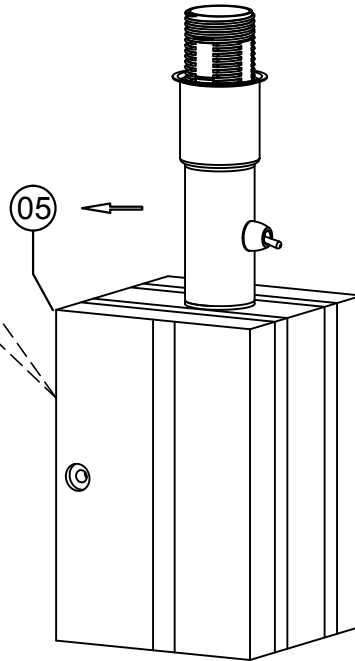
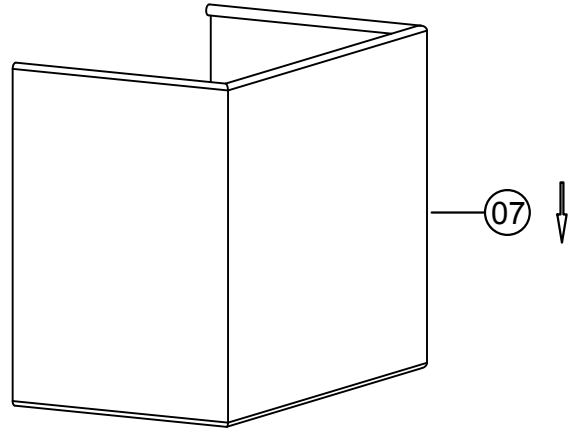
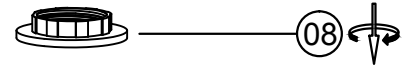
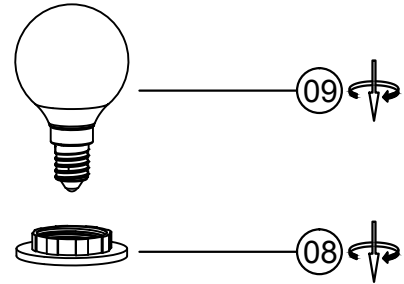
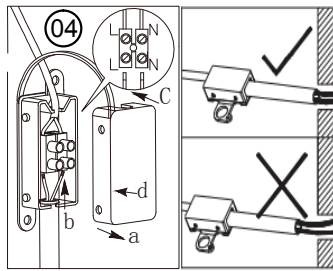
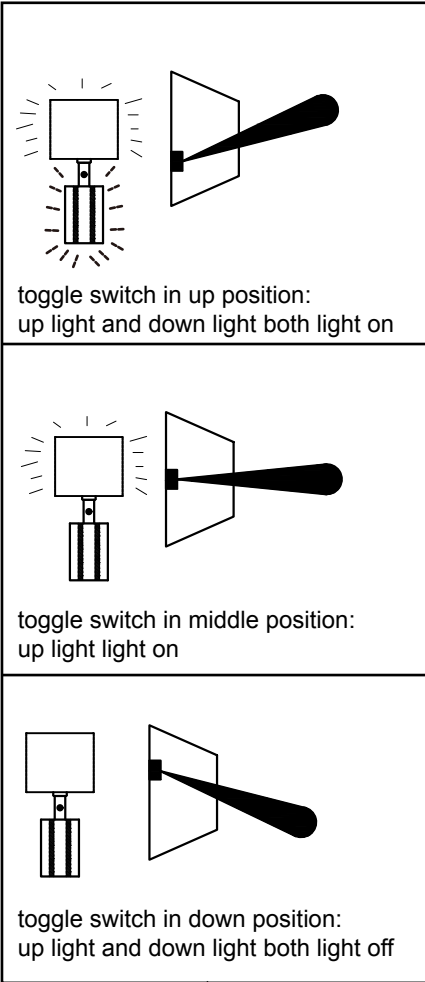
GLOBO

LIGHTING

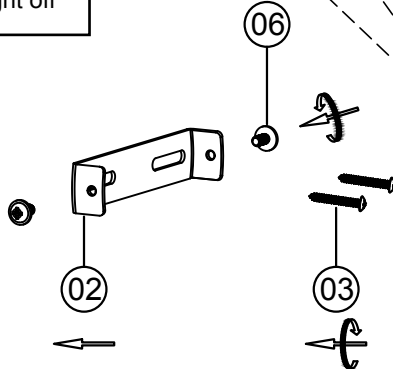
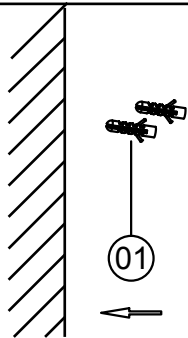
16105W



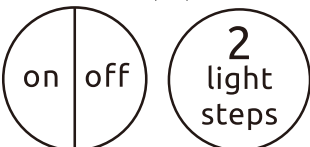
B



1 x E14 230V MAX 25W
1 x G9 230V MAX 5W LED



06



GLOBO Handels GmbH
Gewerbestr. 3
A-9184 Sankt Peter, AUSTRIA
www.globo-lighting.com
office@globo-lighting.com

