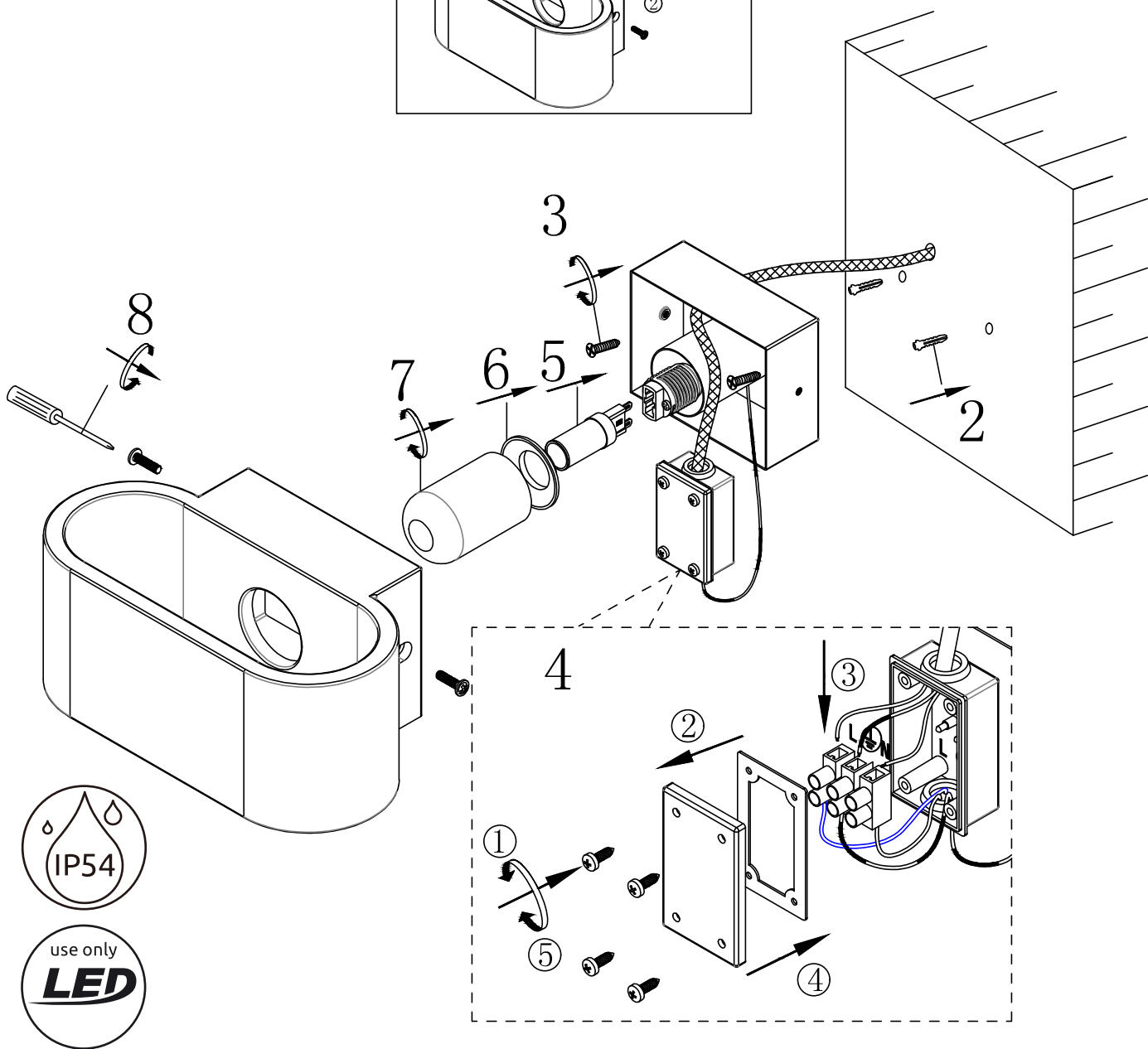
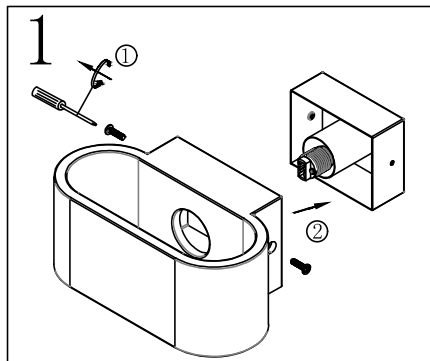


# GLOBO

LIGHTING

## 32147

B



GLOBO Handels GmbH  
 Gewerbestr. 3  
 A-9184 Sankt Peter, AUSTRIA  
[www.globo-lighting.com](http://www.globo-lighting.com)  
[office@globo-lighting.com](mailto:office@globo-lighting.com)

1 x G9 MAX LED 8W  
 230V~ 50Hz

