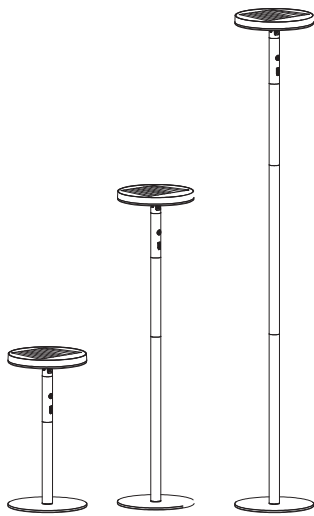
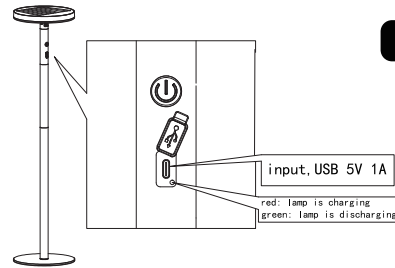
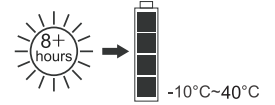
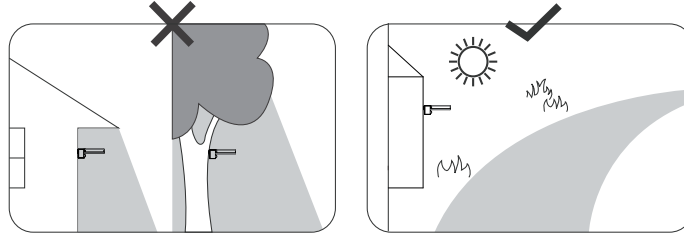


GLOBO

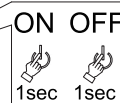
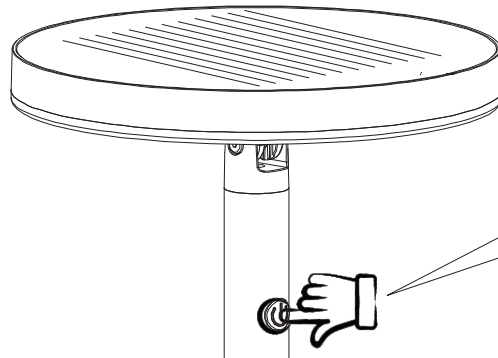
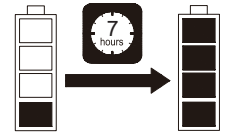
LIGHTING
36508



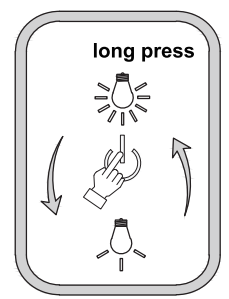
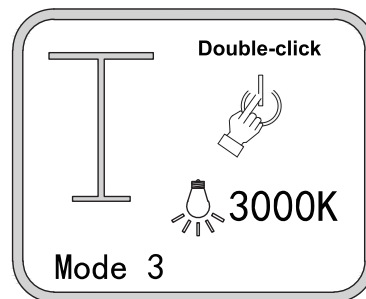
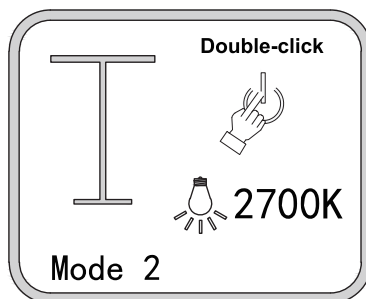
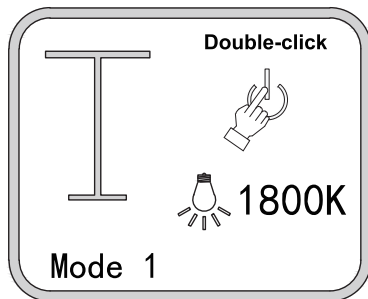
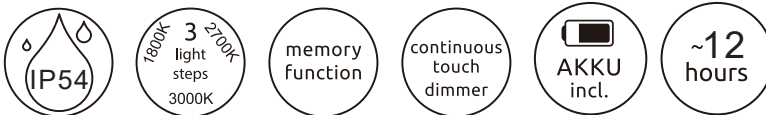
height: 3levels



USB Charging



1x6W LED 3.7V
2x2200mAh 3.7V 18650 Li-Ion battery



GLOBO Handels GmbH
Gewerbestr. 3 A-9184 Sankt Peter, Austria
www.globo-lighting.com
office@globo-lighting.com

AKKU DATA

18650 Li-ion RECHARGEABLE



*Manufacturer: Shandong Anodepower Battery Co., Ltd
Address: Yanggu Double Innovation Industrial Park, East Industrial Concentration Zone, Yanggu County Economic Development Zone, Liaocheng City, Shandong Province

Model: ZNL 18650 2200mAh 3.7V 8.14Wh

SAFETY INSTRUCTIONS

