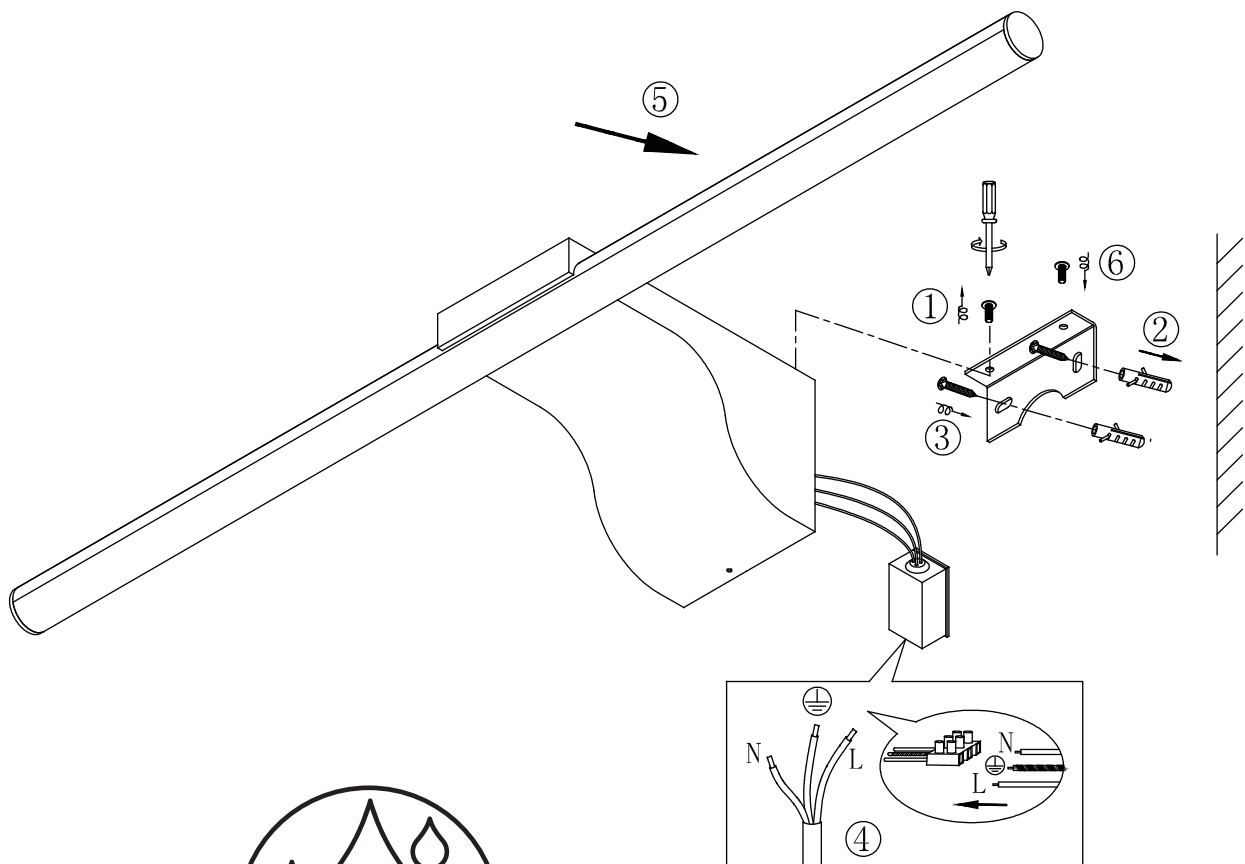


41925S
 41925N
 41925M

B



LED 10W DC28-42V
 230V~ 50Hz

