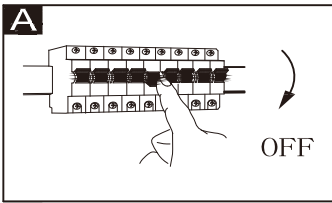
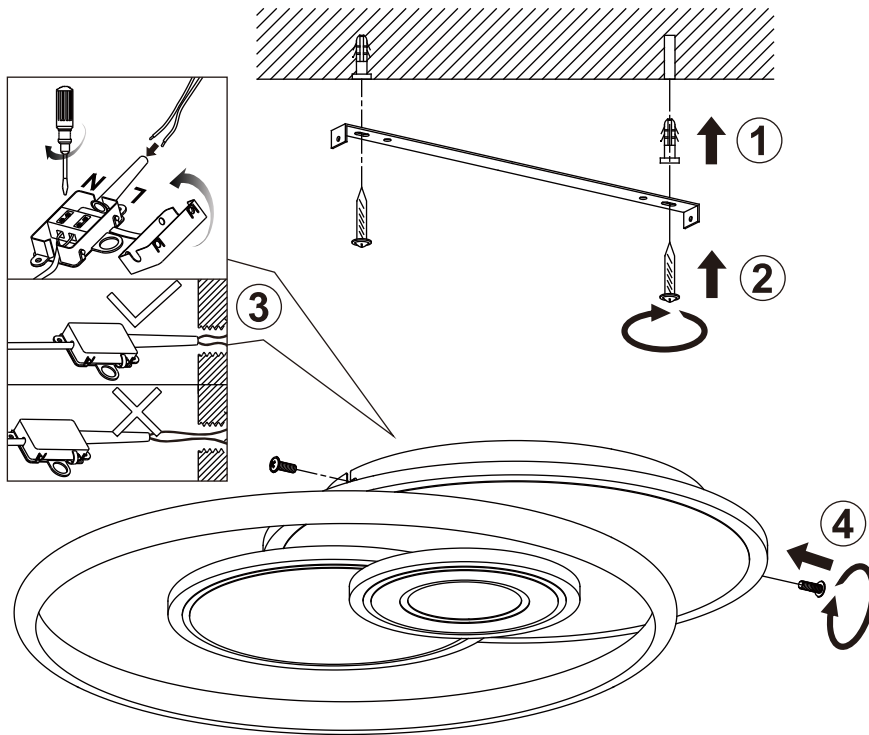


48442-50SH



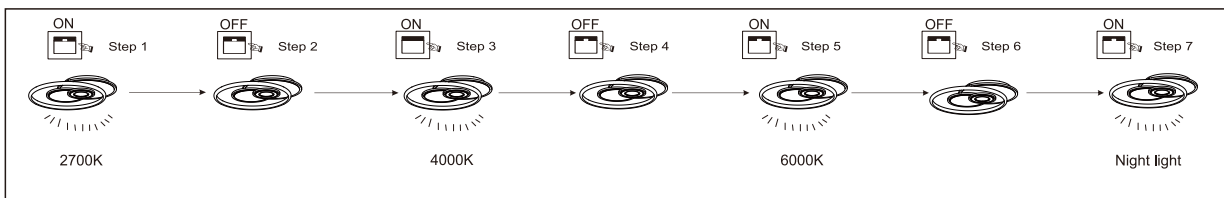
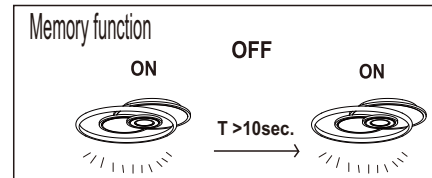
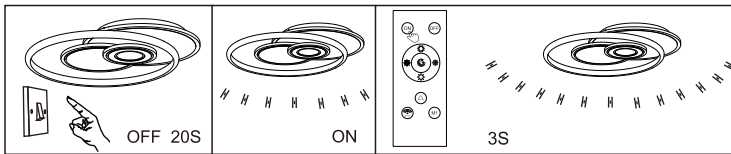
| | |
|-------------------------------------|--------------------------------------|
| 50W LED DC 36V 220-240V~ 50/60Hz | |
| Frequency Bandwidth | Maximal radiation transmitting power |
| 2465MHz | 8dBm |

B

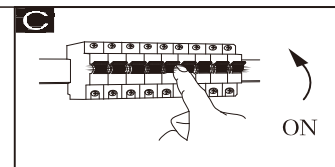


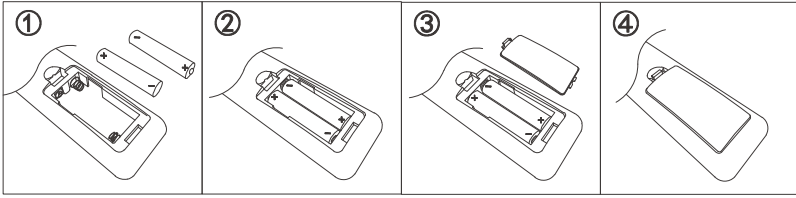
- memory function
- 4000 K **3** LIGHT STEPS 6000 K 2700K
- 2700K-6000K
- night light
- dimmable
- colour fixing
- incl. remote control
- many light steps
- many steps

Reset remote control

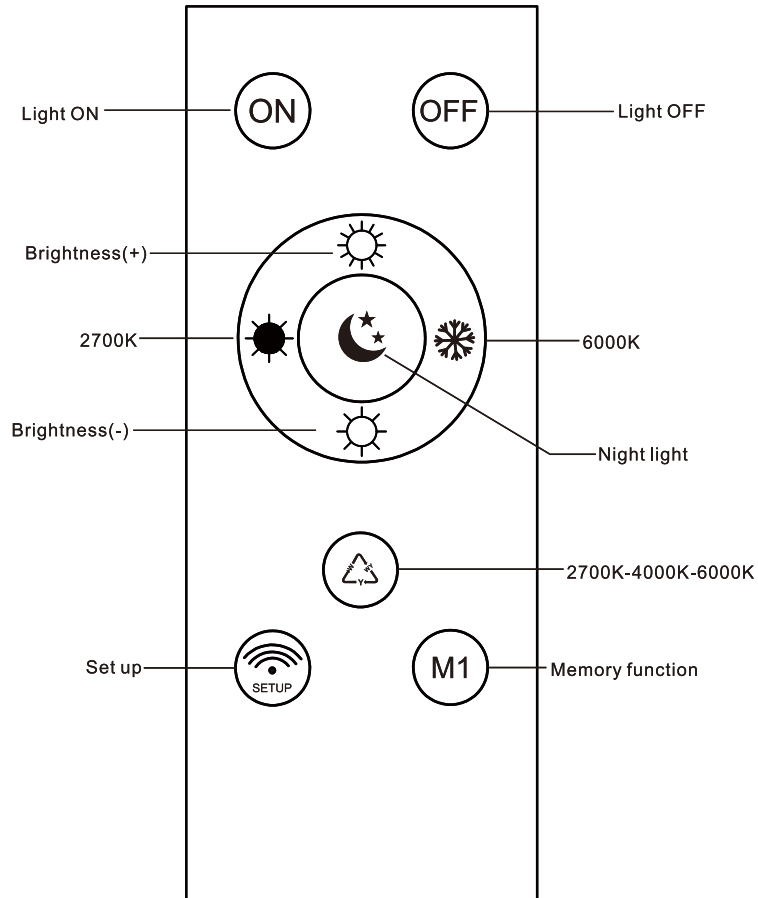


GLOBO Handels GmbH
 Gewerbestrasse 3
 A-9184 Sankt Peter Austria
 www.globo-lighting.com
 office@globo-lighting.com





Battery: 2 x AAA 1.5V



BATTERY DATA

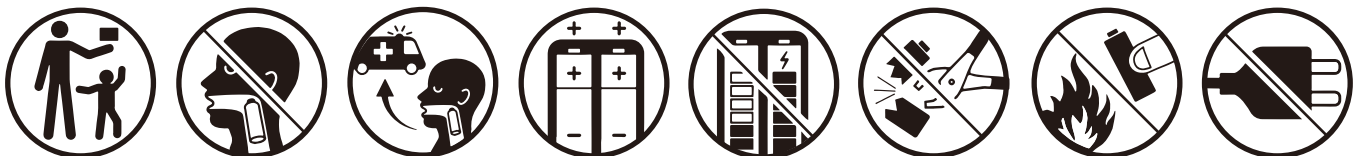
2xAAA Super Heavy Duty Battery*incl.

*Manufacturer: Shenzhen GMCELL TECHNOLOGY CO.,LTD

Address: G Building, Hualian Panorama International Building, 27 District,
Bao'an, Shenzhen, China

Model: R03P UM-4 1.5V

SAFETY INSTRUCTIONS



**Download
Tuya App:**



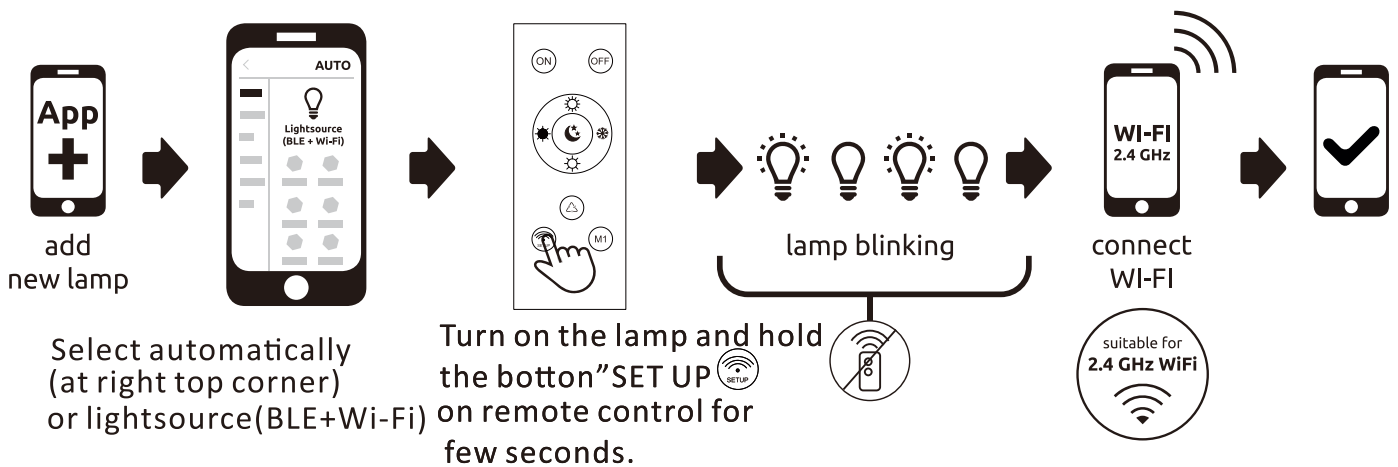
**Get latest
manual:**



**Functional
Video:**



Tuya App - Pairing Process



A customer support contact box featuring a person thinking icon, a clock icon, and a headset icon.

08:00 to 16:00
(Monday to Friday)

+43 (0)4253 320 50 083
(Please consider, your telephone operator's usual charges for calls to Austria will apply.)

