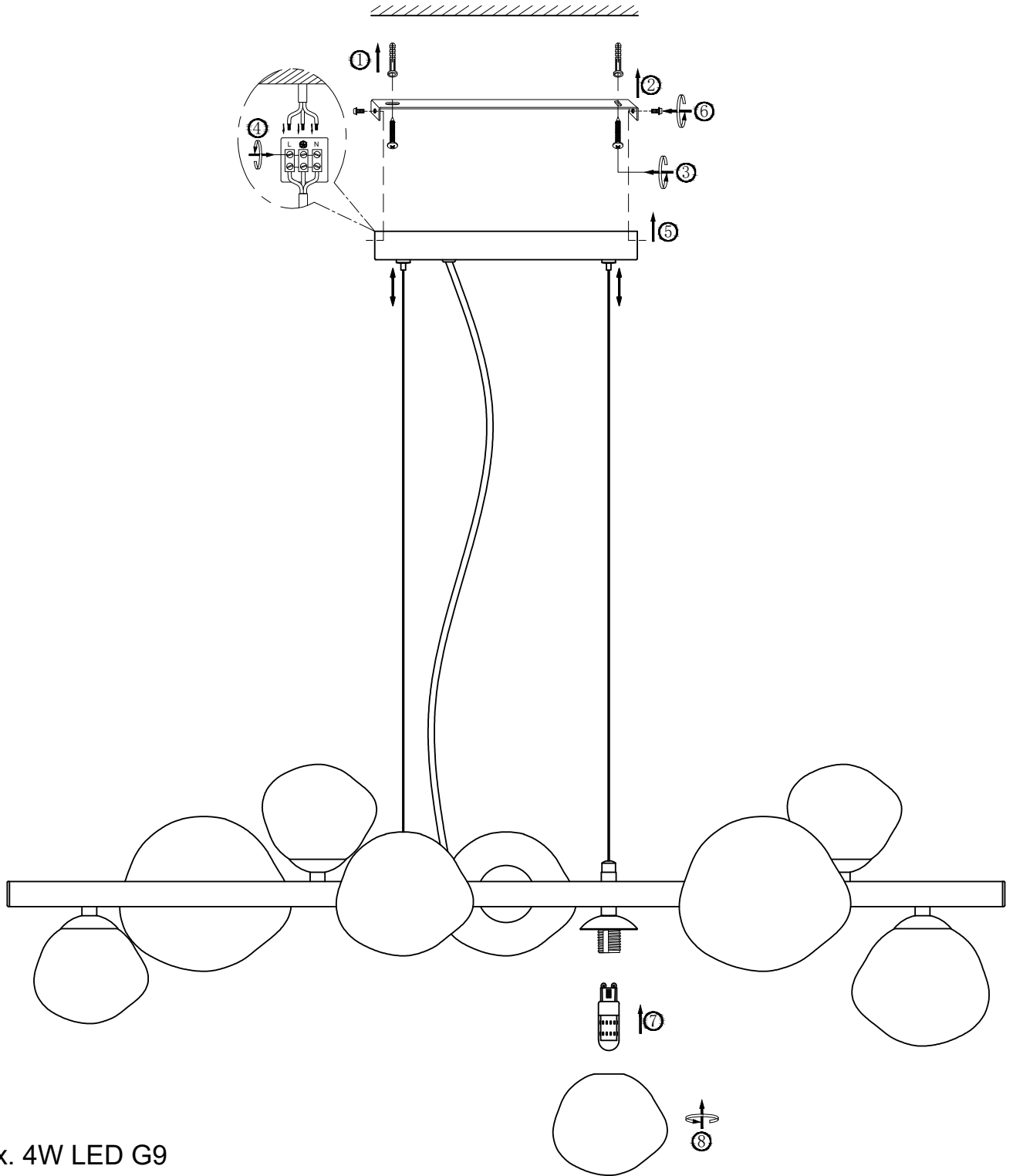


# GLOBO

## LIGHTING

56149-9H

**B**



9 x max. 4W LED G9

230V~ 50Hz

GLOBO Handels GmbH

Gewerbestr. 3

A-9184 Sankt Peter AUSTRIA

[www.globo-lighting.com](http://www.globo-lighting.com)

[office@globo-lighting.com](mailto:office@globo-lighting.com)

