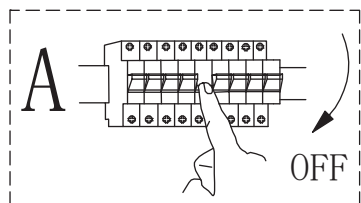


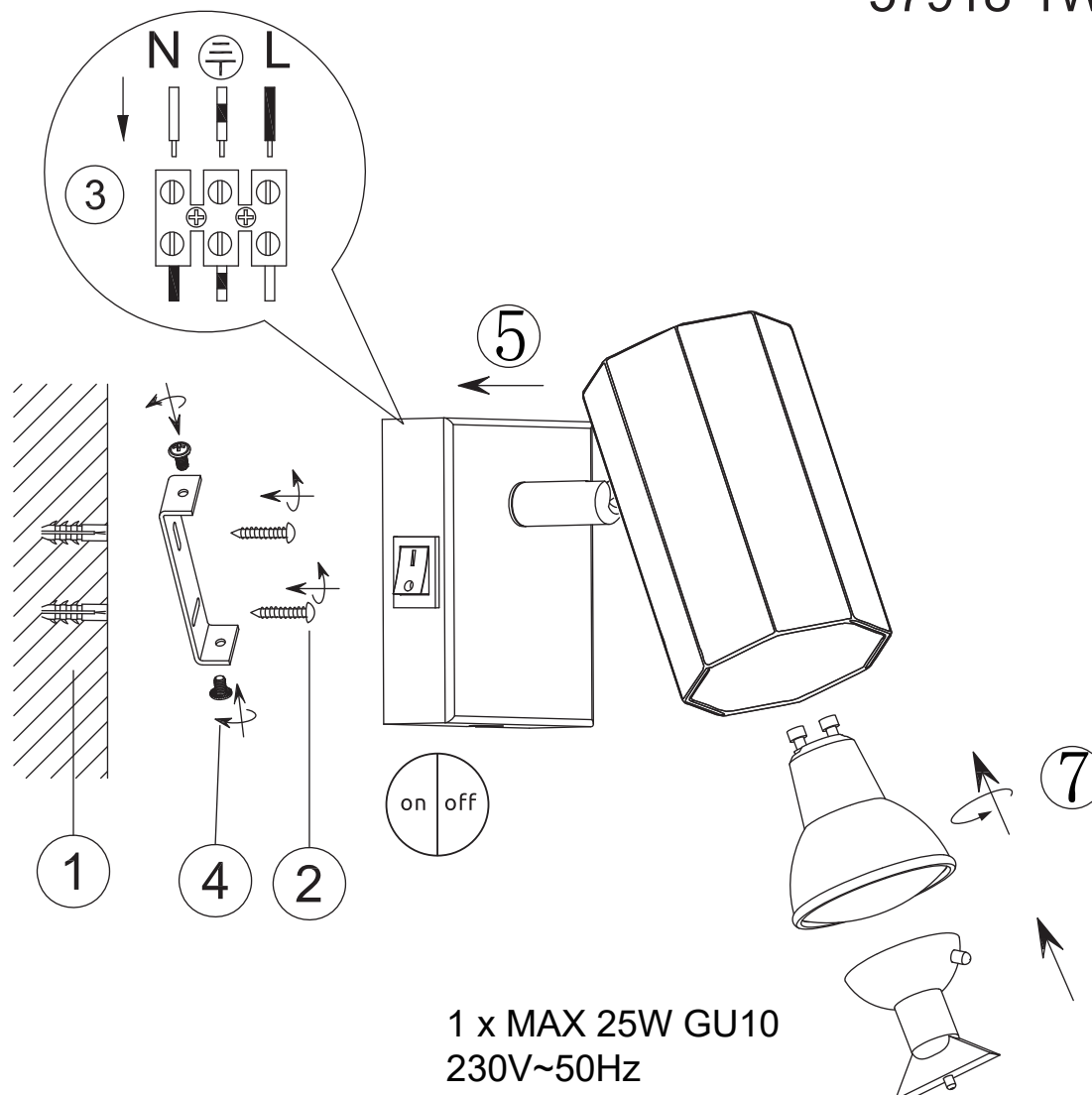
# GLOBO

LIGHTING

57918-1  
57919-1  
57918-1B  
57918-1W



B



GLOBO Handels GmbH  
Gewerbestr. 3  
A-9184 Sankt Peter Austria  
[www.globo-lighting.com](http://www.globo-lighting.com)  
[office@globo-lighting.com](mailto:office@globo-lighting.com)

1 x MAX 25W GU10  
230V~50Hz

