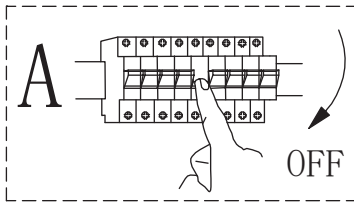


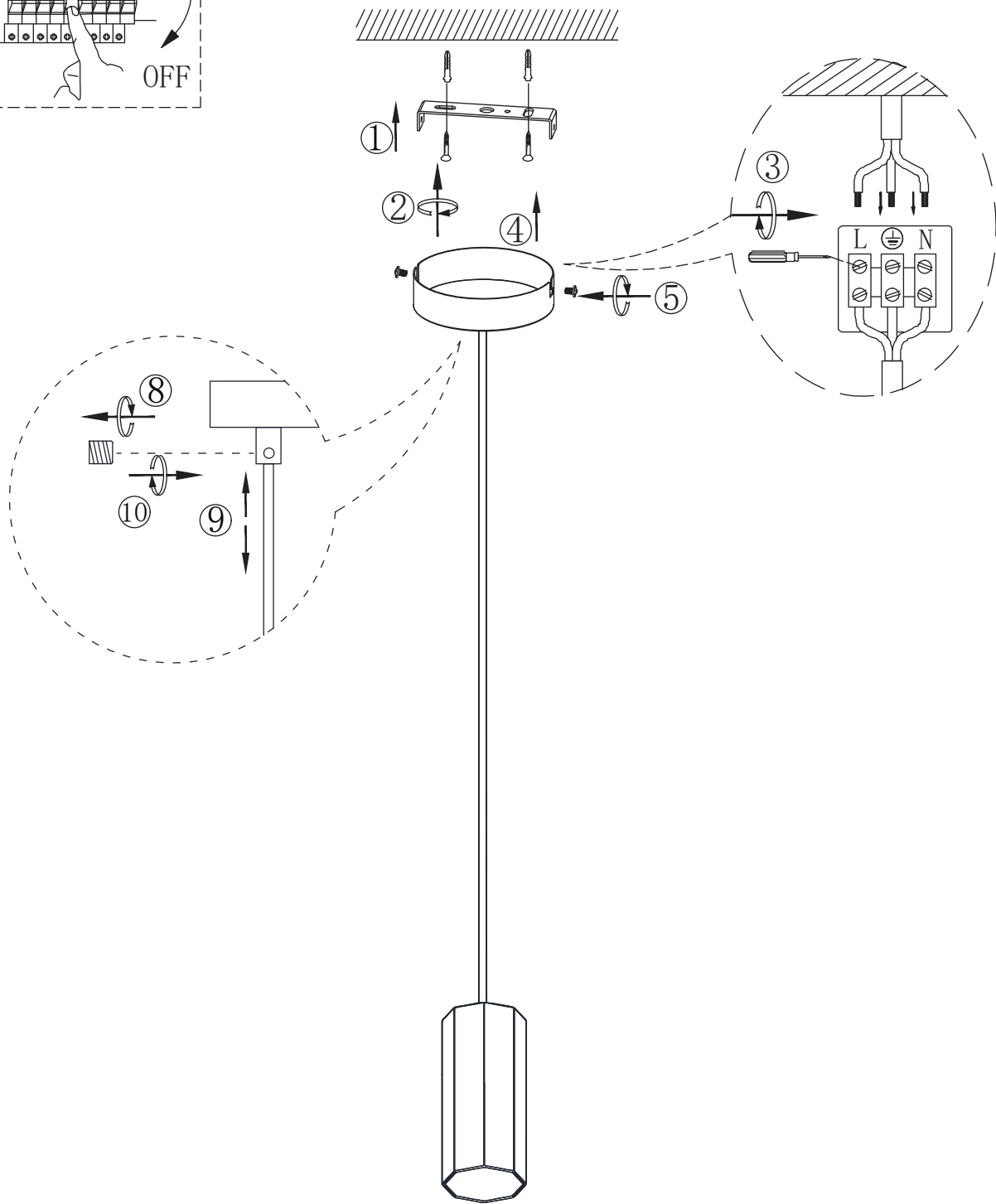
# GLOBO

LIGHTING

57918H  
57919H  
57918HB  
57918HW



B



1 x MAX 25W GU10  
230V~50Hz

GLOBO Handels GmbH  
Gewerbestr. 3  
A-9184 Sankt Peter Austria  
[www.globo-lighting.com](http://www.globo-lighting.com)  
[office@globo-lighting.com](mailto:office@globo-lighting.com)

