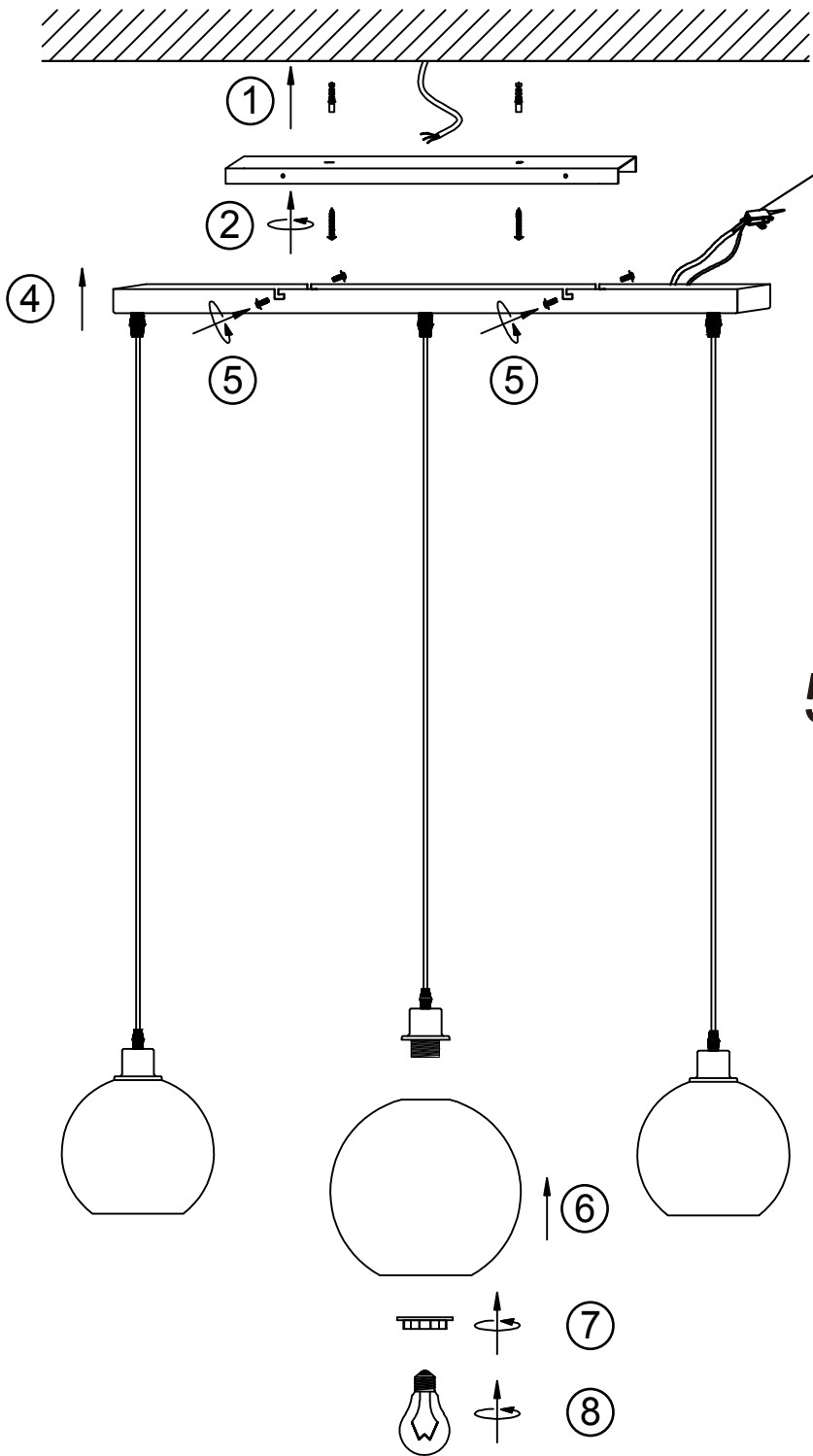
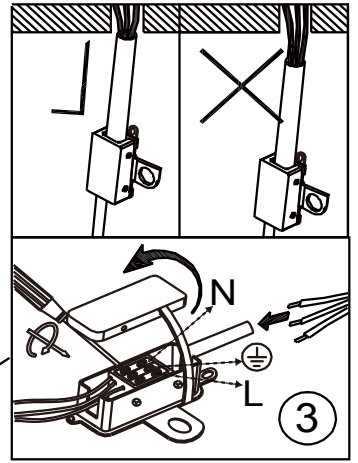


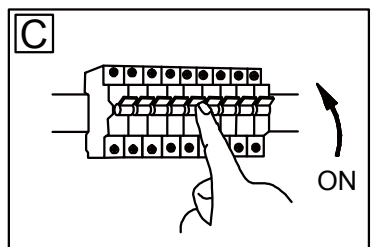
# GLOBO

LIGHTING



58227-3HB

3 x Max 60W E27  
230V~ 50Hz



GLOBO Handels GmbH  
 Gewerbestr. 3  
 A-9184 Sankt Peter  
 Austria  
[www.globo-lighting.com](http://www.globo-lighting.com)  
[office@globo-lighting.com](mailto:office@globo-lighting.com)