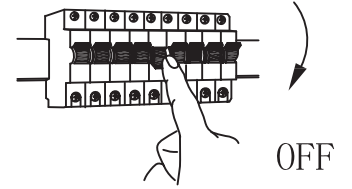
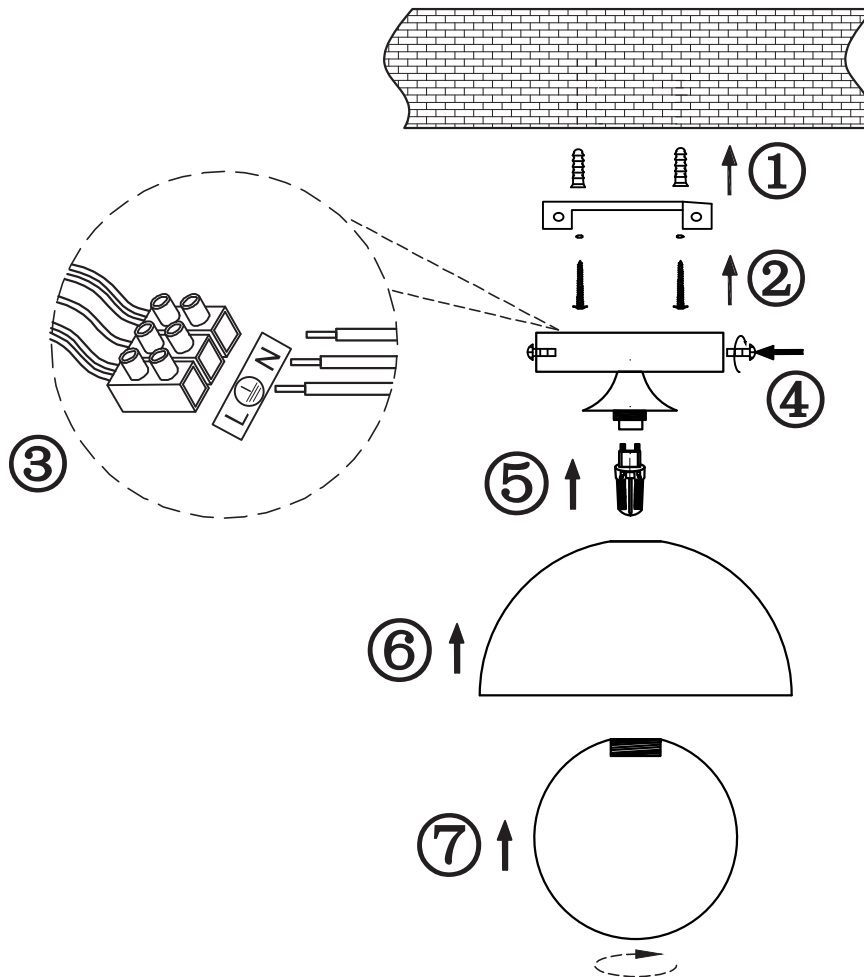
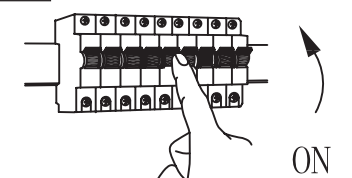


# NOWA

**A****B**

1 x max 10W G9 LED  
230V~ 50Hz

**C**

## 60200108

GLOBO Handels GmbH  
Gewerbestr. 3  
A-9184 Sankt Peter  
AUSTRIA  
[www.globo-lighting.com](http://www.globo-lighting.com)  
[office@globo-lighting.com](mailto:office@globo-lighting.com)