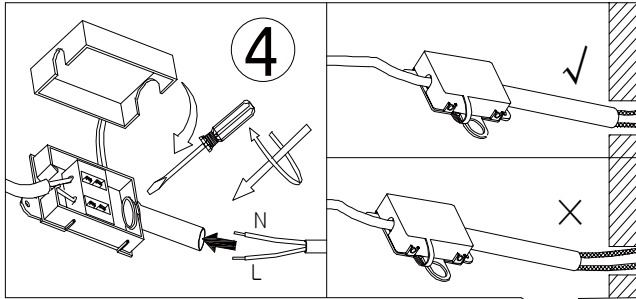
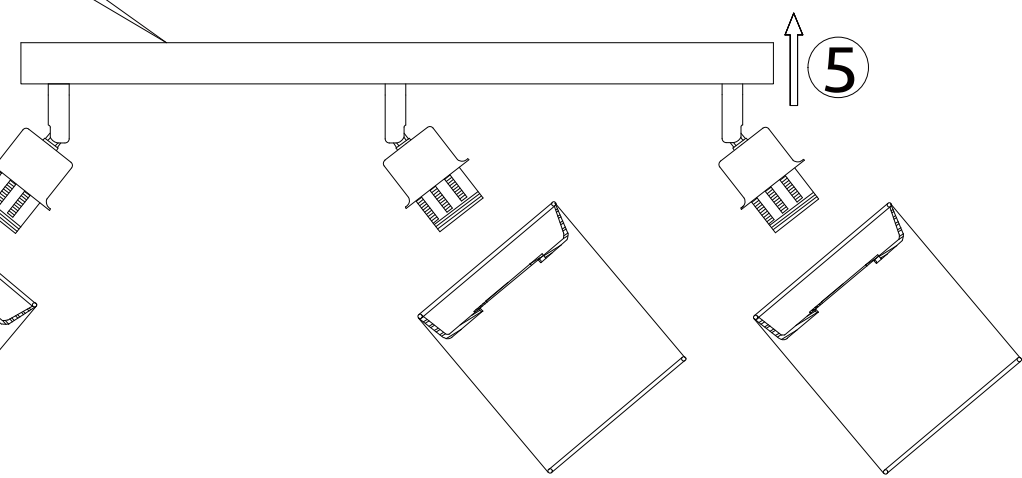
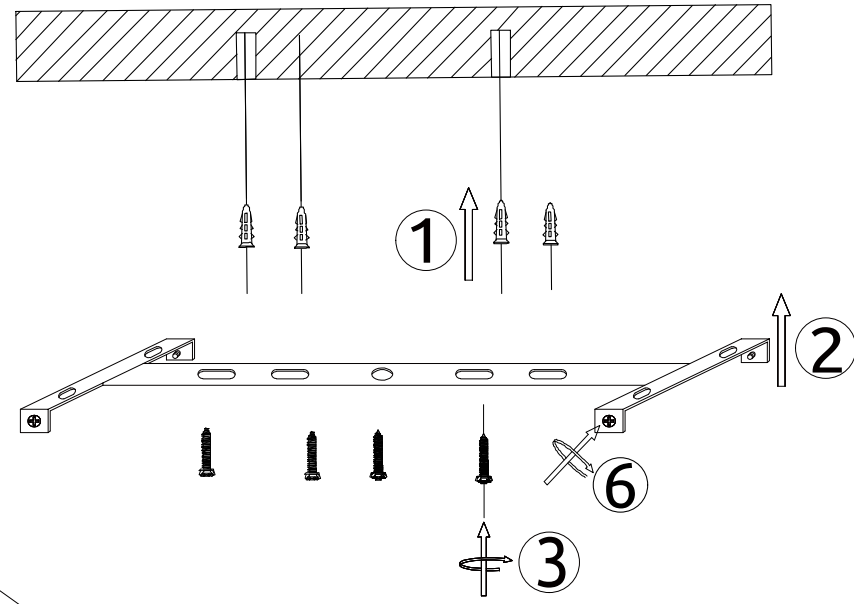


**B**



# NOWA

## 81600346



3x MAX 25W E27  
230V~ 50Hz

GLOBO Handels GmbH  
Gewerbestrasse 3  
A-9184 Sankt Peter, Austria  
[www.globo-lighting.com](http://www.globo-lighting.com)  
[office@globo-lighting.com](mailto:office@globo-lighting.com)

