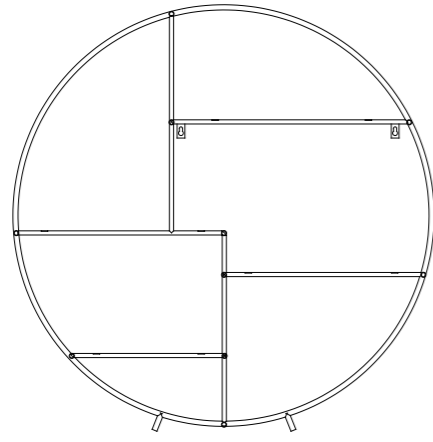


A x 1



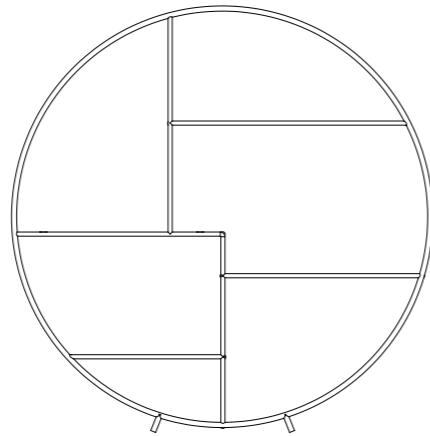
C x 4

D x 10



E x 4

B x 1

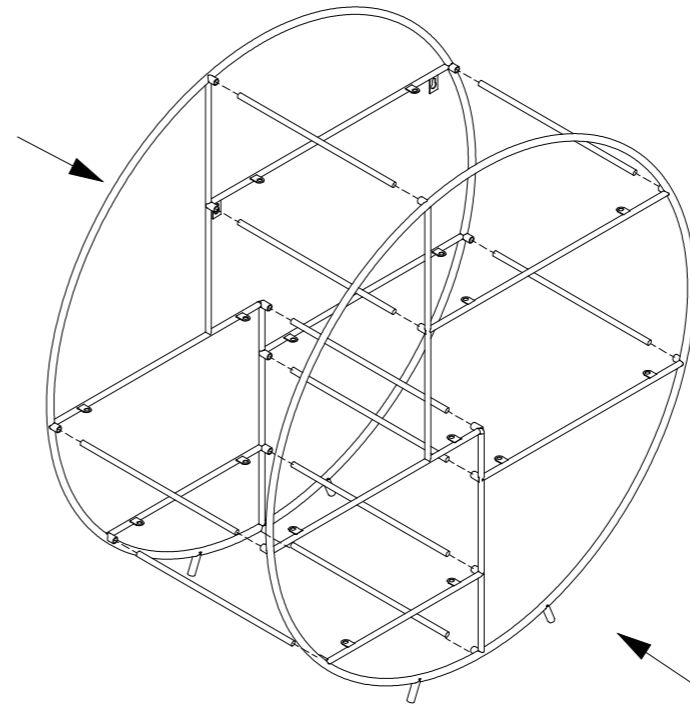


F x 2

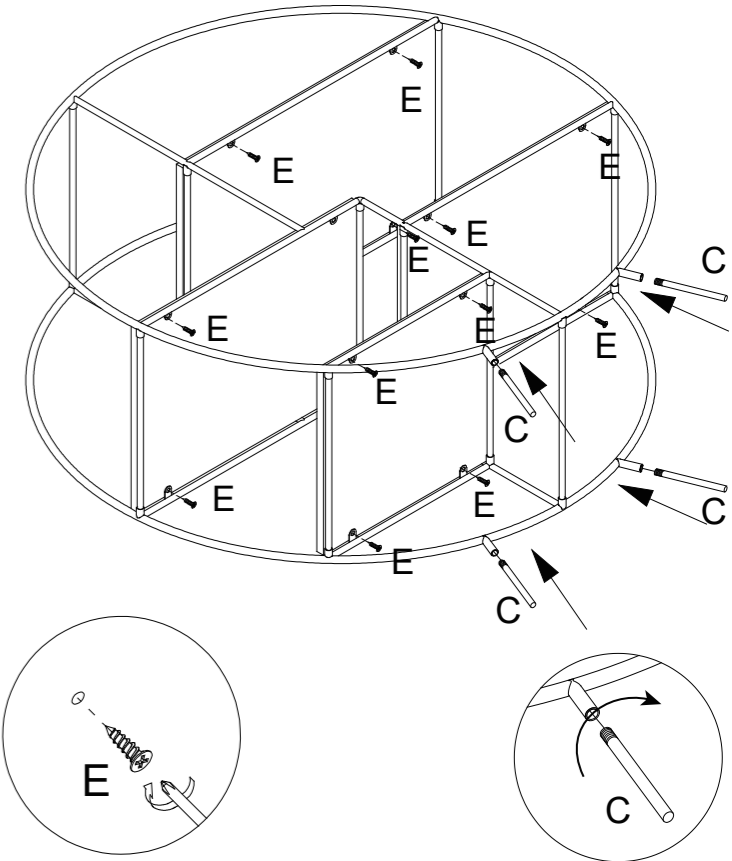
G x 2

E x 16

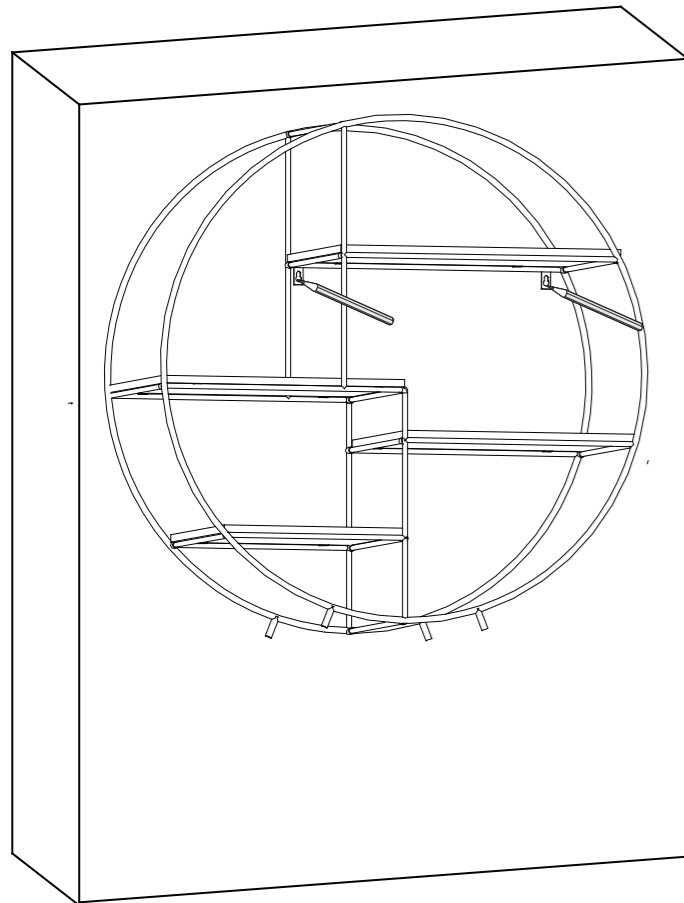
1



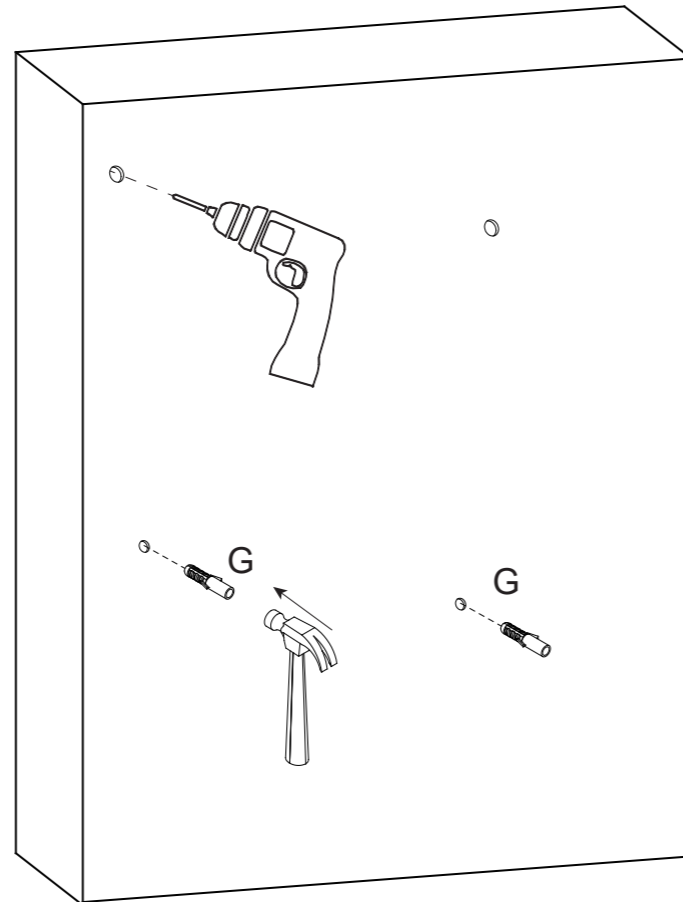
2



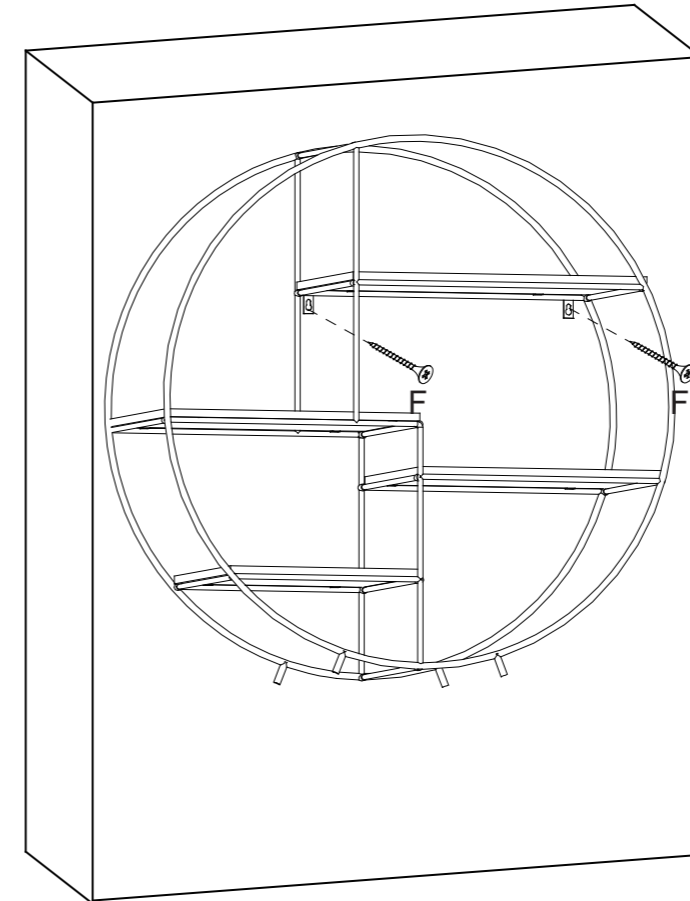
3



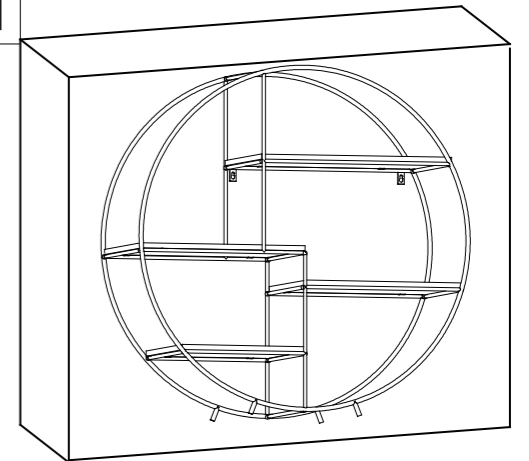
4



5



6-1



6-2

